

PARTS BOOK
FOR
BROTHER DB2-B705



High Speed Lock Stitcher with Thread Trimmer



BROTHER INDUSTRIES, LTD.

NAGOYA, JAPAN



From the library of: Superior Sewing Machine & Supply LLC

17
2
304
44
43
41
9
56

How to use the parts book

1. When the column for the parts number or the parts assembly number is , please refer to the different parts list on the page 18.
2. When the column for the parts number is , the parts cannot be supplied. But when the parts number is shown in the column, please order the parts by the parts assembly number so that the parts can be arranged in the form assembled parts.
3. This book is edited basing on the data as of the October, 1977.
4. The parts in this book may be changed without any advance notice.

Hinweise für das Zubehörteilebuch

1. Wenn die Klumne für die Nummer der Zubehörteile oder dessen Montage  ist, bitte schlage Sie die Liste der Differentialzubehörteileliste in der Seite 18 nach.
2. Wenn die Klumne für die Nummer der Zubehörteile  ist, gibt es keine Zubehörteile, dagegen wenn die Montage- Nummer der Zubehörteile in der Liste steht, können Sie die Zubehörteile mit der Differentialzubehörteileliste ordentlich bestellen.
3. Diese Buch-Ausgabe ist im Oktober, 1977.
4. Bei der Änderung der Zubehörteile in diesem Buch mag es keine Notiz geben.

Mode d'emploi du livre des pièces

1. Quand la case pour le numéro des pièces ou le numéro des pièces assemblées est , veuillez vous référer à la liste des pièces différentes à la page 18.
2. Quand la case pour le numéro des pièces est (diagonale), les pièces ne peuvent pas être fournies. Mais quand le numéro des pièces assemblées est présenté sur la case, veuillez ordonner les pièces au numéro des pièces assemblées pour que les pièces puissent être arrangées sur la forme assemblée des pièces.
3. Ce livre est édité suivant les données de Octobre, 1977.
4. Les pièces de ce livre peuvent être changées sans aucune annonce.

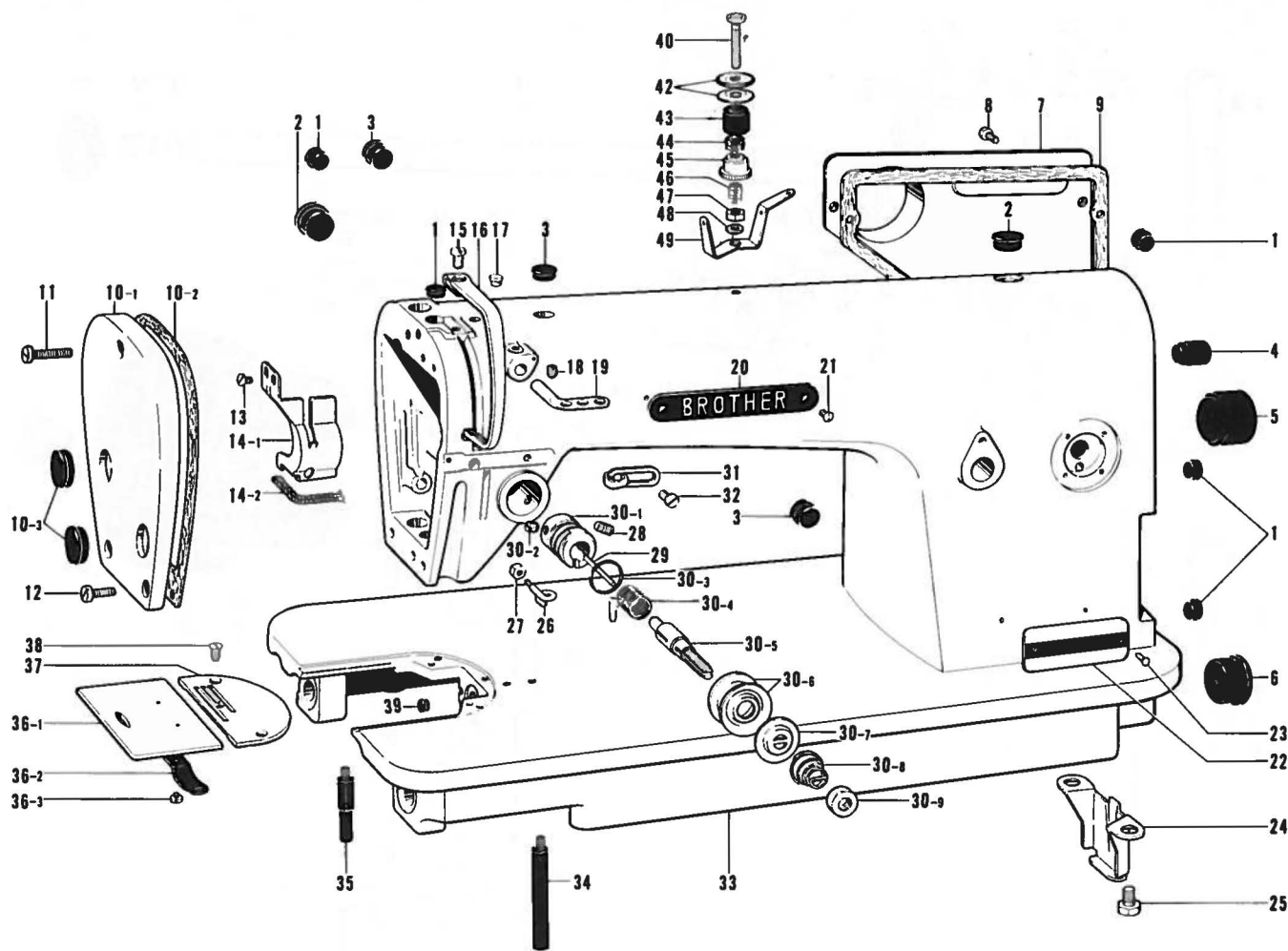
Como usar libros de piezas

1. Las piezas que no tienen números referentes pero se vea la lista de piezas diferentes en la página 18 en adelante.
2. La pieza que tiene (diagonale), no se puede suministrarse en pieza misma pero en forma armada.
3. Este libro se ha formado siendo efectuado desde Octubre 1977. en adelante.
4. Sería posible que algunas piezas en el libro se modificaría sin aviso.

CONTENTS

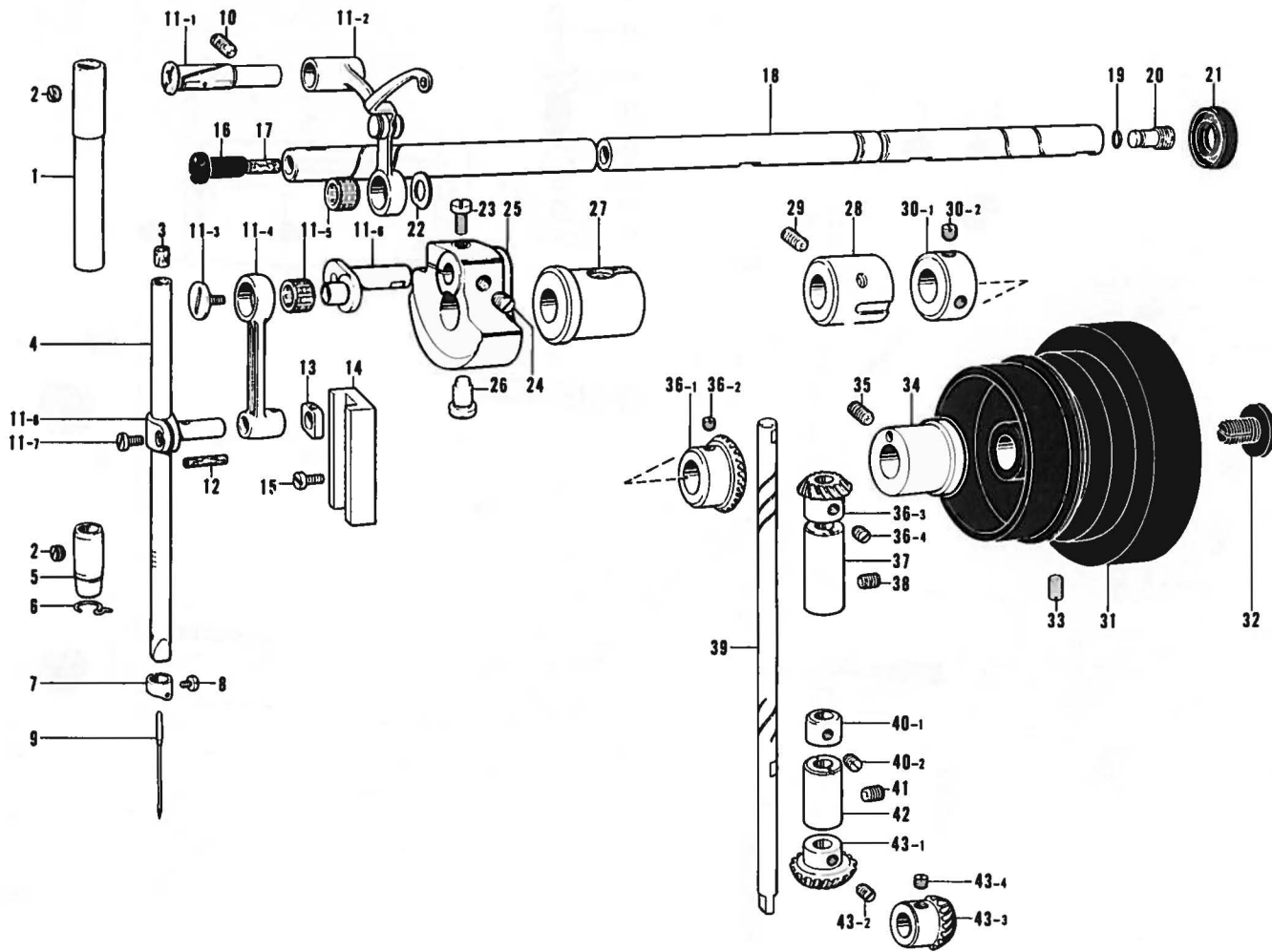
A. Machine Body	1
B. Needle Bar and Thread Take-up Lever Mechanism	2
C. Feed Mechanism	3
D. Feed Mechanism	4
E. Presser Foot	5
F. Lubrication	6
G. Bobbin Winder Assembly	7
H. Synchronizer Mechanism	8
J. Thread Trimmer and Tension Release Mechanism	9
K. Thread Wiper Mechanism	10
L. Quick Back Mechanism	11
M. Presser Lifter and Treadle	12
N. Valve Case Assembly	13
P. Motor (Part 1)	14
P. Motor (Part 2)	15
Q. Control Box Mechanism	16
Z. Accessories	17
DIFFERENT PARTS LIST	18
INDEX	21

A. Machine Body



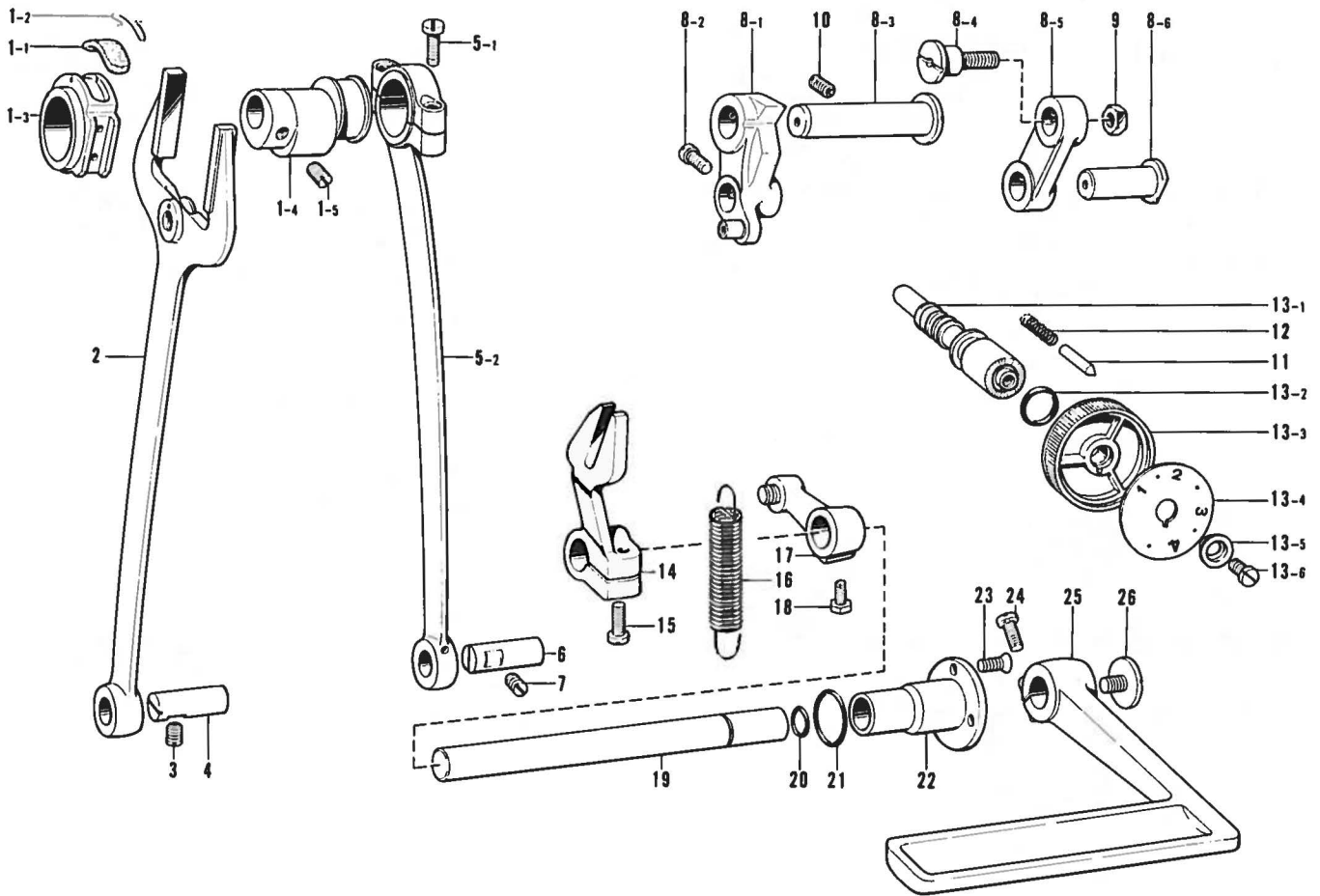
Ref. No.	Name of Parts	Q'ty	Parts No.	Assembly No.	Ref. No.	Name of Parts	Q'ty	Parts No.	Assembly No.
A-1	Oil Cap	4	104450-0-01		A-29	Tension Release Pin	1	100400-0-00	
A-2	Oil Cap	2	104449-0-01		A-30-1	Upper Tension Regulator Bracket	1	144741-0-01	
A-3	Oil Cap	3	104821-0-01		A-30-2	Screw	1	100402-0-04	
A-4	Oil Cap	1	104832-0-01		A-30-3	Packing	1	114294-0-01	A-30
A-5	Oil Cap	1	104451-0-01		A-30-4	Thread Take-up Spring	1	145519-0-01	Tension
A-6	Oil Cap	1	108520-0-01		A-30-5	Tension Stud	1	100398-0-01	Regulator
A-7	Rear Cover	1	145577-0-01		A-30-6	Tension Disc	2	145446-0-01	Assembly
A-8	Screw	5	009670-8-12		A-30-7	Presser for Tension Disc	1	100134-0-01	181634-0-01
A-9	Packing	1	145528-0-00		A-30-8	Tension Spring	1	145520-0-01	
A-10-1	Face Plate	1	145523-0-01	A-10	A-30-9	Tension Control Nut	1	100136-0-01	
A-10-2	Packing	1	145527-0-00	Face Plate	A-31	Thread Guide	1	145522-0-01	
A-10-3	Oil Cap	2	104449-0-01	Assembly	A-32	Screw	1	009670-6-14	
A-11	Screw	1	009671-8-13		A-33	Arm Bed	1		
A-12	Screw	2	009671-0-13		A-34	Bed Leg L	1	104829-0-01	
A-13	Screw	2	009670-5-12		A-35	Bed Leg S	1	104830-0-01	
A-14-1	Oil Stopper Plate	1	145530-0-01	A-14	A-36-1	Slide Plate	1		A-36
A-14-2	Wick	1	109405-0-01	Oil Stopper Plate	A-36-2	Slide Plate Spring	1	114561-0-01	Slide Plate
A-15	Screw	1	009680-7-13	181639-0-01	A-36-3	Screw	2	122771-0-01	Assembly
A-16	Thread Take-up Cover	1	140885-0-02		A-37	Needle Plate	1	145971-0-01	180018-0-01
A-17	Cap For Oil Inlet	1	111865-0-01		A-38	Screw	2	100032-0-03	
A-18	Screw	1	013680-6-12		A-39	Cap	1	142274-0-01	
A-19	Thread Retainer	1	114931-0-01		A-40	Pretension Stud	1	146056-0-01	
A-20	Name Plate "BROTHER"	1			A-42	Thread Guide Disc	2	144504-0-01	
A-21	Screw	2	100191-0-05		A-43	Washer	1	146206-0-01	
A-22	Model Plate	1			A-44	Spring	1	146058-0-01	
A-23	Pin	2	116231-0-01		A-45	Nut	1	146059-0-01	
A-24	Pump Cover	1	145454-0-01		A-46	Spring	1	146060-0-00	
A-25	Bolt	2	140704-0-01		A-47	Nut	1	105234-0-01	
A-26	Arm Thread Guide	1	145524-0-01		A-48	Washer	1	025680-2-34	
A-27	Nut	1	021660-1-02		A-49	Thread Guide Plate	1	146055-0-01	
A-28	Screw	1	103950-0-02						

B. Needle Bar and Thread Take-up Lever Mechanism



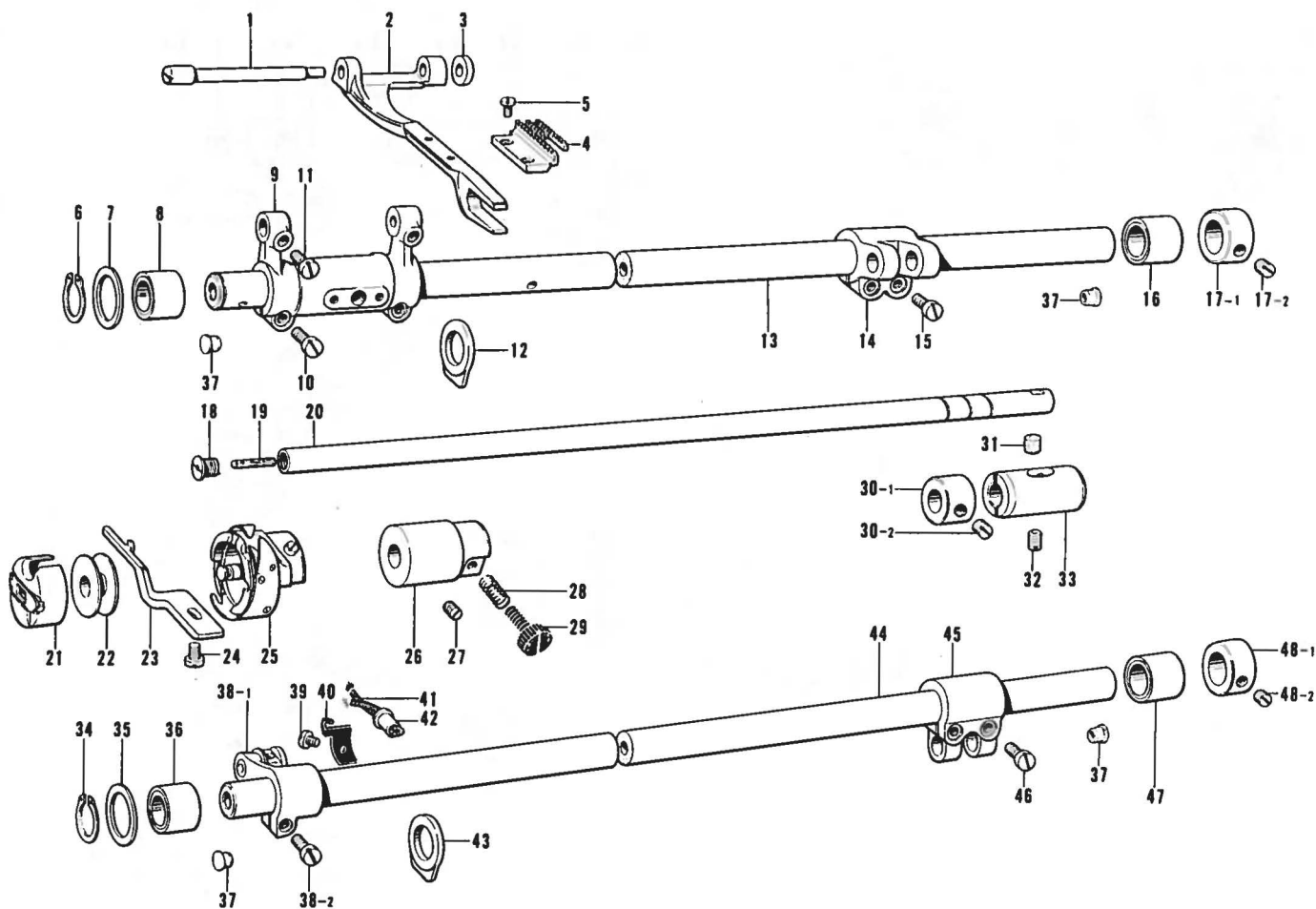
Ref. No.	Name of Parts	Q'ty	Parts No.	Assembly No.	Ref. No.	Name of Parts	Q'ty	Parts No.	Assembly No.
B-1	Needle Bar Bushing Upper	1	111463-0-01		B-23	Screw	1	009711-2-12	
B-2	Screw	2	100260-0-01		B-24	Screw	1	013770-7-10	
B-3	Needle Bar Cork	1	111863-0-01		B-25	Thread Take-up Crank	1	145462-0-00	
B-4	Needle Bar	1			B-26	Take-up Crank Position Screw	1	104464-0-01	
B-5	Needle Bar Bushing	1	145468-0-01		B-27	Upper Shaft Bushing Left	1	145459-1-01	
B-6	Thread Guide	1	145525-0-01		B-28	Upper Shaft Bushing Center	1	140726-0-00	
B-7	Thread Guide	1	145944-0-01		B-29	Screw	1	013760-6-10	
B-8	Screw	1	140553-0-01		B-30-1	Collar	1		B-30 Collar 181994-0-01
B-9	Needle	1			B-30-2	Screw	2	013760-8-10	
B-10	Screw	1	013781-0-12		B-31	Pulley	1	148822-0-01	
B-11-1	Stud	1			B-32	Screw	1	104478-0-01	
B-11-2	Take-up Lever Assembly	1		B-11 Thread Take-up Connector Assembly 145463-0-01	B-33	Screw	2	013761-4-10	
B-11-3	Screw	1	145465-0-01		B-34	Upper Shaft Bushing Right	1	145461-1-01	
B-11-4	Needle Bar Crank Rod	1			B-35	Screw	1	013760-6-10	
B-11-5	Needle Roller Bearing	2			B-36-1	Gear	1		B-36 Bevel Gear Upper Assembly 140378-0-01
B-11-6	Needle Bar Crank	1			B-36-2	Screw	2	013770-7-10	
B-11-7	Screw	1	140004-0-01		B-36-3	Gear	1		
B-11-8	Needle Bar Clamp	1			B-36-4	Screw	2	013770-7-10	
B-12	Wick	1	108809-0-01		B-37	Vertical Shaft Upper Bushing	1	142708-0-00	
B-13	Needle Bar Guide Slide Block	1	102630-0-01		B-38	Screw	1	013761-4-10	
B-14	Needle Bar Guide	1	145688-0-00		B-39	Vertical Shaft	1	145516-0-01	
B-15	Screw	2	009670-6-12		B-40-1	Collar	1		B-40 Collar 118759-0-01
B-16	Oil Adjustor	1	146333-0-01		B-40-2	Screw	2	101706-0-03	
B-17	Felt	1	146327-0-01		B-41	Screw	1	013761-4-10	
B-18	Upper Shaft	1	145458-0-01		B-42	Vertical Shaft Lower Bushing	1	142709-0-00	
B-19	O Ring	1	081002-6-70		B-43-1	Gear	1		B-43 Bevel Gear Lower Assembly 140381-0-01
B-20	Oil Screw Right For Upper Shaft	1	104555-0-01		B-43-2	Screw	2	013770-7-10	
B-21	Oil Seal	1	101487-0-00		B-43-3	Gear	1		
B-22	Washer	1	110367-0-01		B-43-4	Screw	2	013770-7-10	

C. Feed Mechanism



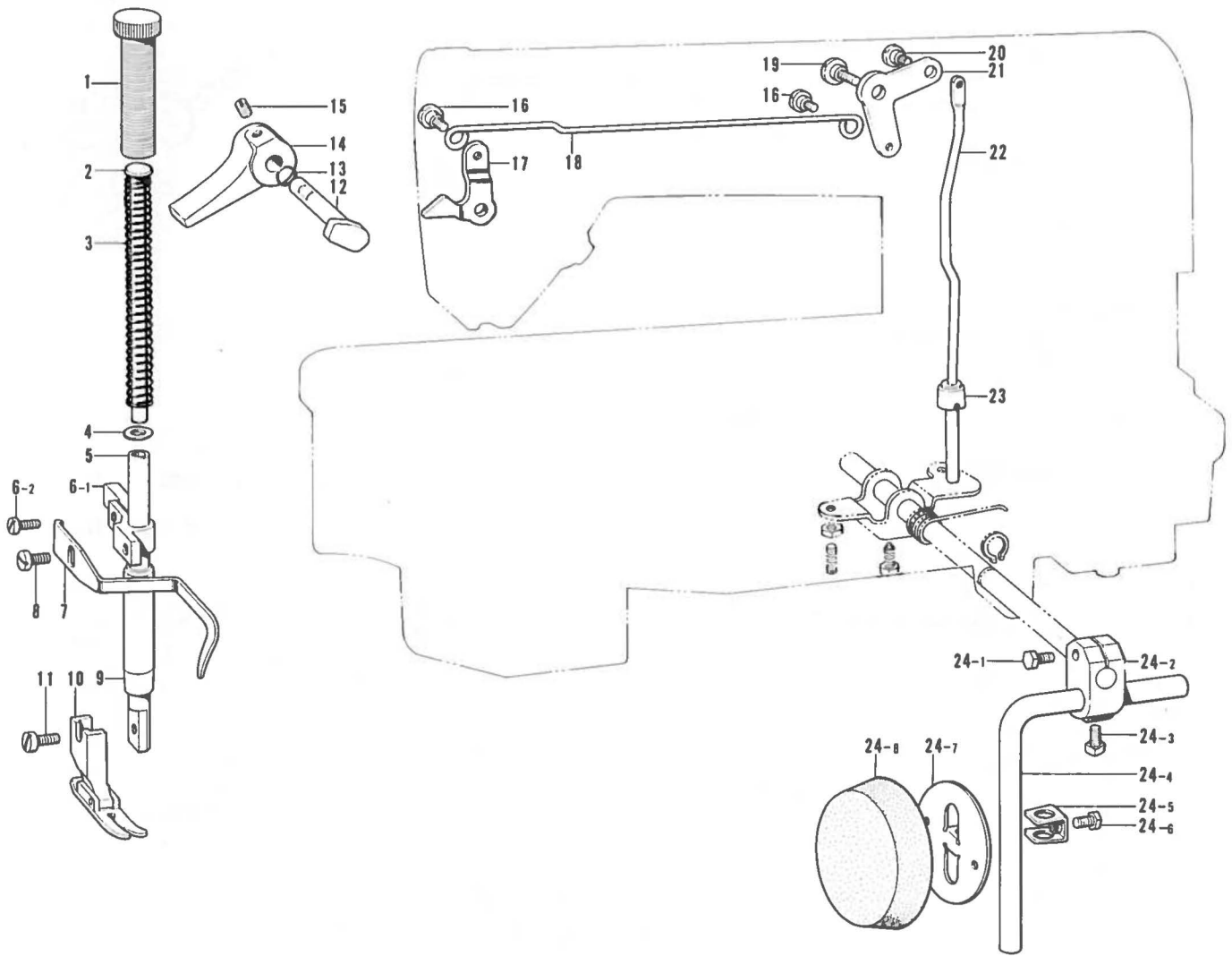
Ref. No.	Name of Parts	Q'ty	Parts No.	Assembly No.	Ref. No.	Name of Parts	Q'ty	Parts No.	Assembly No.
C- 1-1	Felt	1	106442-0-01	C-1 Feed Cam Sleeve Lever 181646-0-01	C-12	Notch Spring	1	100328-0-01	C-13 Length Control Assembly 181632-0-01
C- 1-2	Felt Wipe	1	106440-0-00		C-13-1	Length Control Screw	1	109151-1-01	
C- 1-3	Sleeve	1			C-13-2	Packing	1	108549-0-01	
C- 1-4	Feed Cam	1			C-13-3	Length Control	1	142483-0-01	
C- 1-5	Screw	2	013760-8-10		C-13-4	Feed Regulator Plate	1	145949-0-01	
C- 2	Fork Rod	1	145485-0-01	C-13-5	Washer	1	142746-0-02		
C- 3	Screw	1	013689-4-12	C-13-6	Screw	1	142747-0-02		
C- 4	Feed Rock Shaft Arm Pin	1	109153-0-01	C-14	Feed Regulator Lever	1	145494-0-01		
C- 5-1	Set Screw	2	107428-0-01	C-15	Screw	1	009711-4-12		
C- 5-2	Crank Rod	1		C-16	Spring	1			
C- 6	Feed Rock Shaft Arm Pin	1	109153-0-01	C-17	Spring Hook Arm Assembly	1	145598-0-01		
C- 7	Screw	1	013689-4-12	C-18	Bolt	1	142403-0-01		
C- 8-1	Feed Regulator	1	181428-0-01	C-19	Reverse Lever Shaft	1	145496-0-01		
C- 8-2	Screw	1	102627-0-01	C-20	Packing	1	104564-0-01		
C- 8-3	Feed Regulator Shaft	1	145492-0-01	C-21	Packing	1	116789-0-01		
C- 8-4	Screw	1	145486-0-01	C-22	Reverse Lever Shaft Supporter	1	145498-0-01		
C- 8-5	Feed Link	1	145487-0-01	C-23	Screw	3	102538-0-02		
C- 8-6	Feed Link Shaft	1	145493-0-01	C-24	Screw	1	009711-4-12		
C- 9	Nut	1	104689-0-01	C-25	Reverse Lever	1			
C-10	Screw	1	013781-0-12	C-26	Screw	1	100511-0-03		
C-11	Pin	1	145502-0-01						

D. Feed Mechanism



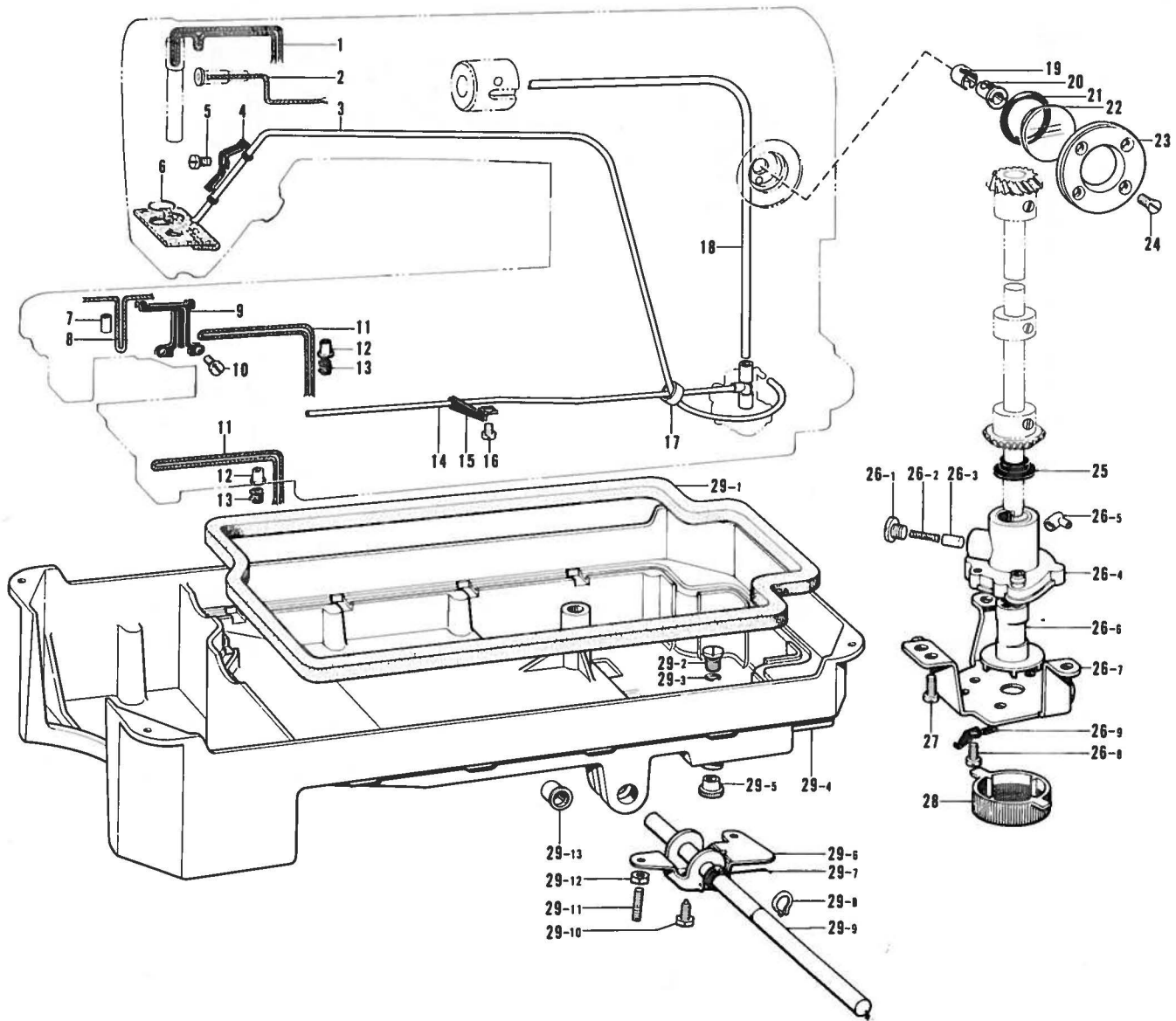
Ref. No.	Name of Parts	Q'ty	Parts No.	Assembly No.	Ref. No.	Name of Parts	Q'ty	Parts No.	Assembly No.
D-1	Feed Bar Shaft	1	116917-0-01		D-26	Lower Shaft Bushing Left	1	118761-1-00	
D-2	Feed Bar	1	145511-0-01		D-27	Screw	1	013680-8-12	
D-3	Washer	1	114685-0-01		D-28	Spring	1	116794-0-01	
D-4	Feed Dog	1	100334-0-01		D-29	Screw	1	145534-0-01	
D-5	Screw	2	100080-0-03		D-30-1	Collar	1		D-30 Collar 181995-0-01
D-6	Stop Ring	1	048150-1-42		D-30-2	Screw	2	101706-0-03	
D-7	Thrust Ring	1	116920-0-01		D-31	Felt	1	107155-0-01	
D-8	Bushing	1	146061-0-00		D-32	Set Screw	1	011681-2-12	
D-9	Feed Bar Arm	1	145510-0-00		D-33	Lower Shaft Bushing Right	1	104520-1-00	
D-10	Screw	2	009681-2-12		D-34	Stop Ring	1	048150-1-42	
D-11	Screw	2	104908-0-01		D-35	Thrust Ring	1	116920-0-01	
D-12	Oil Rejector	1	146064-0-00		D-36	Bushing	1	146061-0-00	
D-13	Feed Rock Shaft	1	145503-0-01		D-37	Cap For Oil Inlet	4	111865-0-01	
D-14	Feed Rock Shaft Arm	1	109152-0-01		D-38-1	Feed Arm Bracket	1		D-38 Feed Lifting Arm Assembly 145512-0-01
D-15	Screw	2	009681-2-12		D-38-2	Screw	1	009681-6-12	
D-16	Bushing	1	146062-0-00		D-39	Screw	1	009679-3-12	
D-17-1	Collar	1		D-17 Collar Assembly 180321-0-01	D-40	Wick Supporter	1	145538-0-01	
D-17-2	Screw	2	101706-0-01		D-41	Wick	1	117007-0-01	
D-18	Screw	1	109173-0-01		D-42	Oil Cap	1	141189-0-01	
D-19	Felt	1	145751-0-01		D-43	Oil Rejector	1	146064-0-00	
D-20	Lower Shaft	1	145517-0-01		D-44	Feed Lifting	1	145509-0-01	
D-21	Bobbin Case Assembly	1	148350-0-01		D-45	Feed Lifting Arm	1	145508-0-01	
D-22	Bobbin	1	146290-0-01		D-46	Screw	2	009681-2-12	
D-23	Bobbin Case Holder Position Bracket	1	100367-0-01		D-47	Bushing	1	146062-0-00	
D-24	Screw	1	009681-0-12		D-48-1	Collar	1		D-48 Collar 180321-0-01
D-25	Rotary Hook Assembly	1	145585-1-01		D-48-2	Screw	2	101706-0-01	

E. Presser Foot



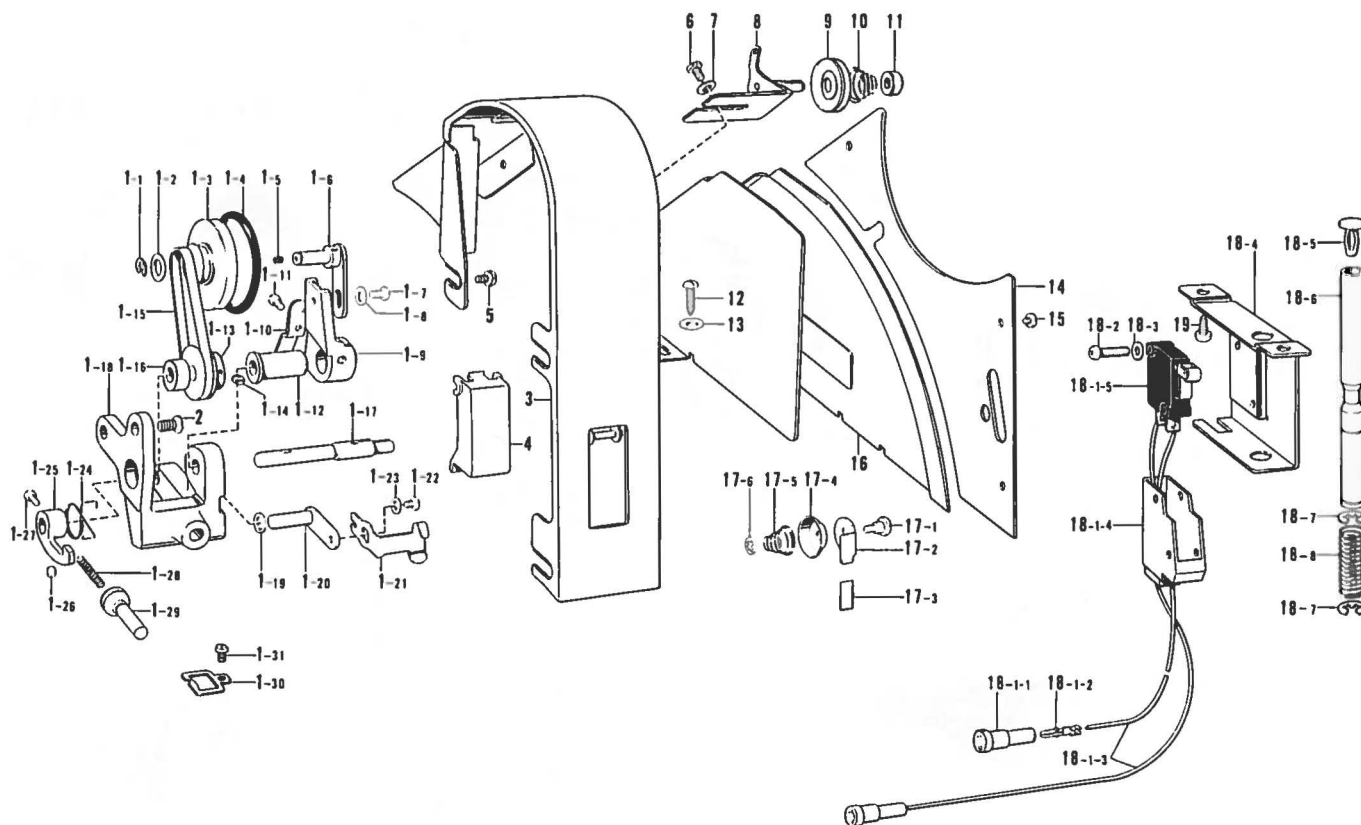
Ref. No.	Name of Parts	Q'ty	Parts No.	Assembly No.	Ref. No.	Name of Parts	Q'ty	Parts No.	Assembly No.
E-1	Screw	1	141207-0-01		E-16	Screw	2	145478-0-01	
E-2	Presser Spring Bar	1	141208-0-01		E-17	Presser Bar Lifter Lever Shaft	1	145580-0-01	
E-3	Presser Spring	1	141209-0-01		E-18	Knee Lifter Connector	1	145476-0-01	
E-4	Presser Spring Washer	1	140407-0-01		E-19	Screw	1	145480-0-01	
E-5	Presser Bar	1	111466-0-01		E-20	Screw	1	145478-0-01	
E-6-1	Presser Bar Bracket	1		E-6 Presser Bar Assembly 180951-0-01	E-21	Knee Lifter Lever	1	145479-0-01	
E-6-2	Screw	1	009681-2-12		E-22	Knee Lifter Bar	1	145481-0-01	
E-7	Thread Guide	1	145521-0-01		E-23	Knee Lifter Complying Bar	1	145573-0-00	
E-8	Screw	1	009680-7-13		E-24-1	Bolt	1	017762-0-13	
E-9	Presser Bar Bushing	1	145472-0-01		E-24-2	Knee Lifter Joint	1	146039-0-01	
E-10	Presser Foot Assembly	1	113280-0-01		E-24-3	Bolt	1	100463-0-01	E-24 Knee Lifter Assembly 181427-0-01
E-11	Screw	1	001670-8-14		E-24-4	Knee Lifter Bar	1	104619-0-02	
E-12	Presser Bar Lifter Crank	1	145483-0-01		E-24-5	Knee Lifter Plate Stopper	1	114967-0-01	
E-13	O Ring	1	081001-6-70		E-24-6	Bolt	1	110087-0-01	
E-14	Presser Bar Lifter	1	145482-0-01		E-24-7	Knee Lifter Plate	1	114966-0-01	
E-15	Screw	1	013710-5-12		E-24-8	Knee Lifter Cover	1	140503-0-01	

F. Lubrication



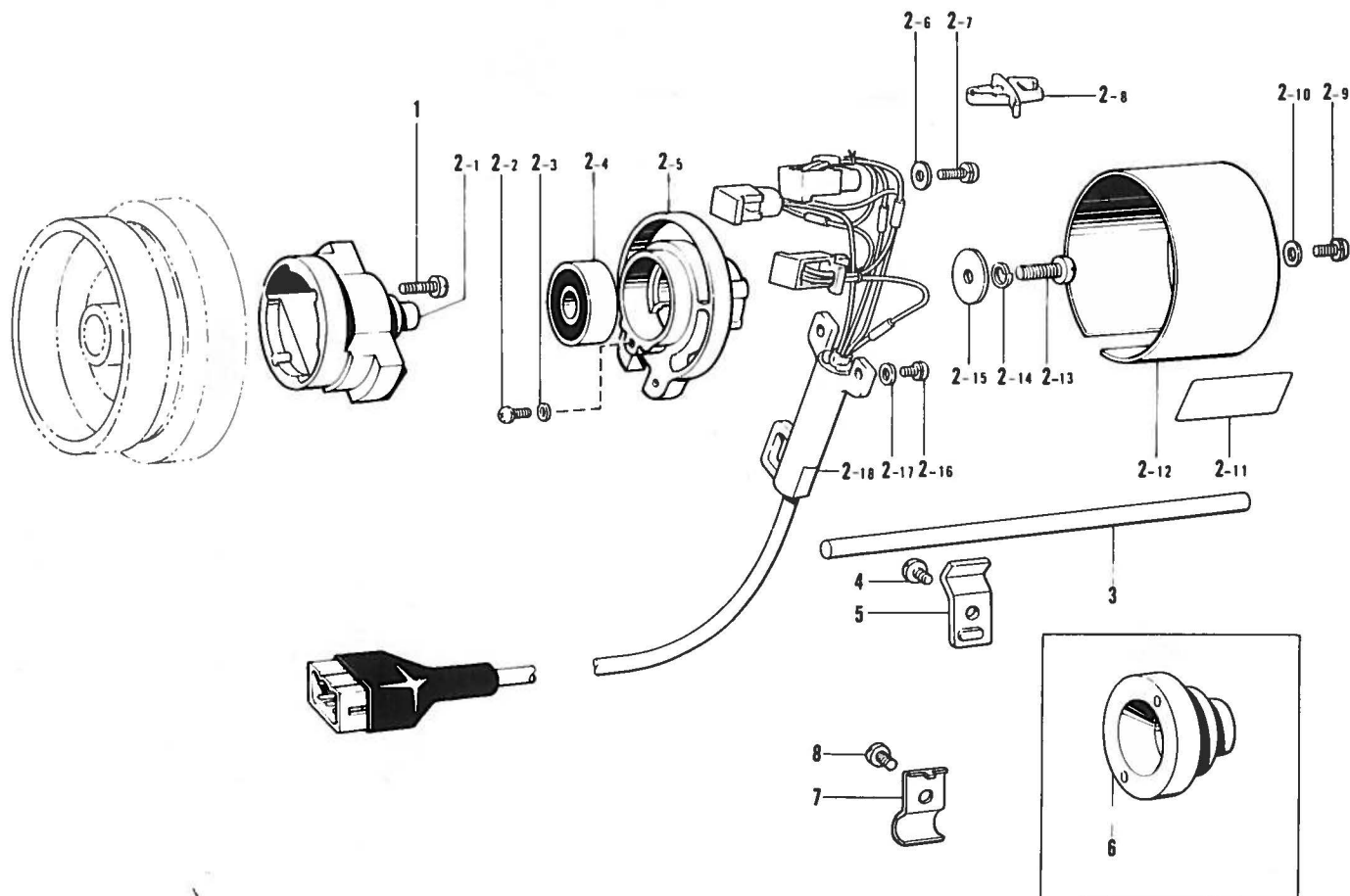
Ref. No.	Name of Parts	Q'ty	Parts No.	Assembly No.	Ref. No.	Name of Parts	Q'ty	Parts No.	Assembly No.	
F- 1	Wick	1	108804-0-01		F-26- 1	Oil Draining Screw	1	112467-0-02	F-26 Pump Assembly 181476-1-01	
F- 2	Wick	1	109405-0-01		F-26- 2	Spring	1	144876-0-01		
F- 3	Tube	1	145543-0-01		F-26- 3	Plunger	1	144875-0-01		
F- 4	Tube Holder	1	145547-0-01		F-26- 4	Pump Body	1	148848-0-01		
F- 5	Screw	1	009670-5-13		F-26- 5	Joint	1	144878-0-01		
F- 6	Felt Support	1	145737-0-01		F-26- 6	Pump Propeller	1	148849-0-01		
F- 7	Vinyl Tube	1	104566-0-01		F-26- 7	Pump	1	144869-0-01		
F- 8	Wick	1	109405-0-01		F-26- 8	Screw	4	009670-8-12		
F- 9	Wick Supporter	1	109171-0-01		F-26- 9	Spring	2	144874-0-01		
F-10	Screw	2	009679-3-12		F-27	Screw	3	009680-7-13		
F-11	Wick	2	113782-0-00		F-28	Pump Filter	1	144872-0-01		
F-12	Oil Cap	2	141189-0-01		F-29- 1	Packing	1	146040-0-01		F-29 Oil Pan Assembly
F-13	Wick Supporter	2	104567-0-01		F-29- 2	Screw	1	140518-0-01		
F-14	Oil Tube	1	145540-0-01		F-29- 3	O Ring	1	081007-0-70		
F-15	Tube Holder	1	145981-0-01		F-29- 4	Oil Pan	1	149580-0-01		
F-16	Screw	1	009680-6-12		F-29- 5	Oil Cap	1	140480-0-01		
F-17	Tube	1	146253-0-00		F-29- 6	Knee Lifter	1	146037-0-01		
F-18	Oil Tube	1	145539-0-00		F-29- 7	Spring	1	146038-0-01		
F-19	Tube Holder Cap	1	146314-0-00		F-29- 8	Stop Ring	1	146293-0-01		
F-20	Tube Holder	1	145529-0-00		F-29- 9	Knee Lifter Shaft	1	146036-1-01		
F-21	O Ring	1	081014-6-70		F-29-10	Bolt	1	146367-0-01		
F-22	Oil Gauge Window	1	104547-0-01		F-29-11	Screw	2	104885-0-01		
F-23	Oil Gauge Flange	1	104546-0-01		F-29-12	Nut	2	100022-0-04		
F-24	Screw	4	102538-0-02		F-29-13	Knee Lifter Shaft Bushing	2	149578-0-00		
F-25	Oil Stopper	1	146196-0-01							

G. Bobbin Winder Assembly



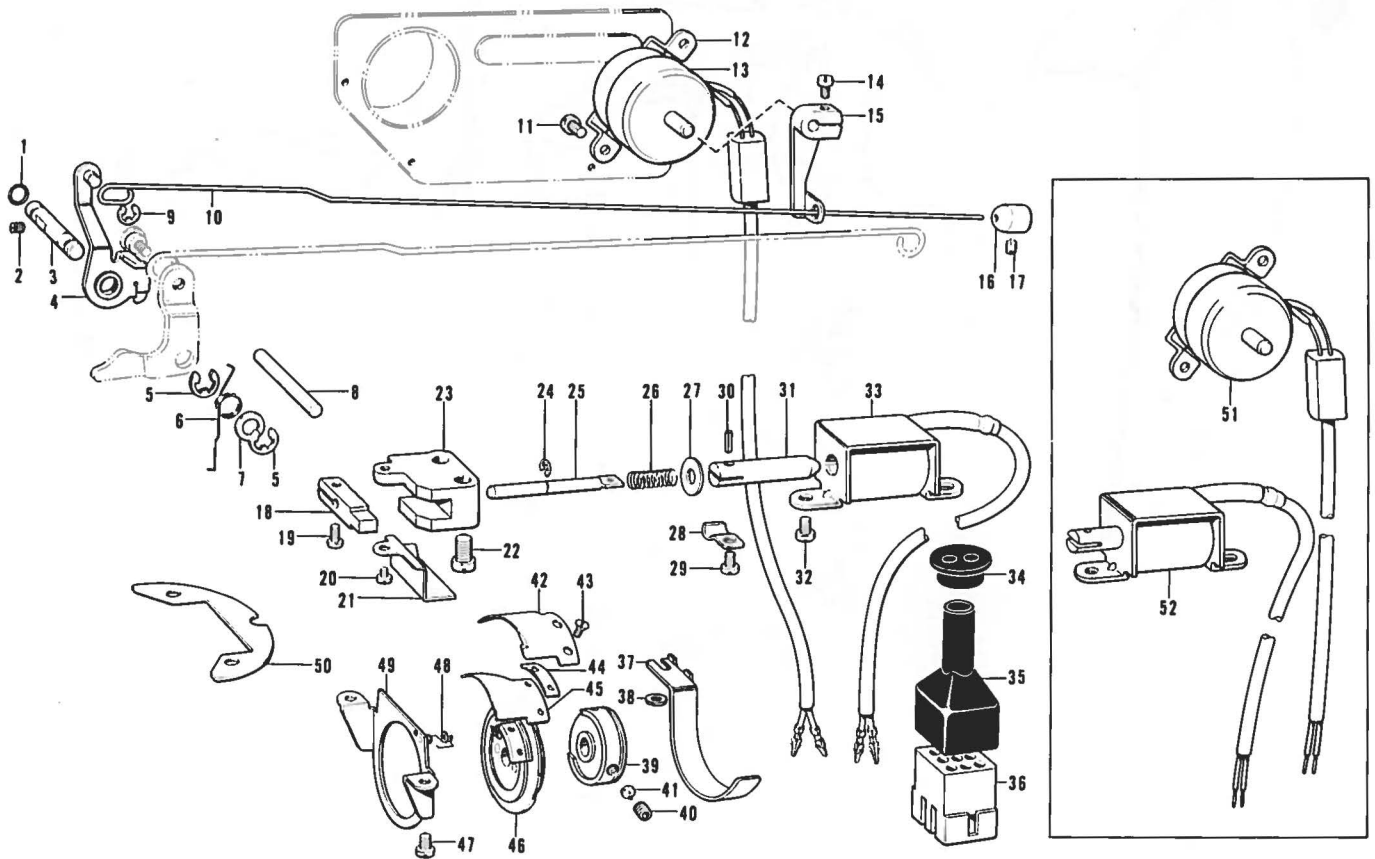
Ref. No.	Name of Parts	Qty	Parts No.	Assembly No.	Ref. No.	Name of Parts	Qty	Parts No.	Assembly No.
G-1-1	Stop Ring	1	048050-3-42	G-1 Bobbin Winder Assembly 145548-0-01	G-4	Push Button	1	145682-0-01	G-17 Thread Trimming 146197-0-00
G-1-2	Washer	1	118735-0-02		G-5	Screw	3	009760-8-13	
G-1-3	Bobbin Winder Driving Pulley	1	145556-0-01		G-6	Screw	2	001670-6-12	
G-1-4	Rubber Ring	1	145558-0-00		G-7	Washer	2	025350-3-32	
G-1-5	Cap	1	145685-0-01		G-8	Bobbin Winder Guide Bracket Assembly	1	145571-0-01	
G-1-6	Stud	1	145686-0-01		G-9	Tension Disc	2	145446-0-01	
G-1-7	Screw	1	009680-6-13		G-10	Tension Spring	1	100401-0-01	
G-1-8	Washer	1	110735-0-01		G-11	Tension Control Nut	1	100136-0-01	
G-1-9	Bobbin Winder Arm	1	145554-0-01		G-12	Screw	2	100666-0-02	
G-1-10	Presser Plate	1	146063-0-01		G-13	Washer	2	025750-1-32	
G-1-11	Screw	1	009670-5-12		G-14	Belt Cover Cap	1	145569-0-01	
G-1-12	Bushing Right	1	145550-0-00		G-15	Screw	2	009680-5-12	
G-1-13	Winder Wheel	1	145553-0-01		G-16	Belt Cover Lower	1	145570-0-01	
G-1-14	Screw	2	013670-7-12		G-17-1	Screw	1	118764-0-02	
G-1-15	V Belt	1	145684-0-01		G-17-2	Knife	1	146198-0-01	
G-1-16	Bobbin Winder Bushing	1	145551-0-00		G-17-3	Cushion	1	146289-0-01	
G-1-17	Bobbin Winder Shaft	1	145552-0-01		G-17-4	Disc	1	146199-0-01	
G-1-18	Bobbin Winder Bracket	1			G-17-5	Spring	1	144505-0-00	
G-1-19	Washer	1	109763-0-02		G-17-6	Stop Ring	1	146200-0-01	
G-1-20	Bobbin Holder Arm	1	145564-0-01		G-18-1	Micro Switch Assembly	1	146044-0-00	
G-1-21	Bobbin Holder	1	145565-0-01		G-18-1-1	Oil Rejector	2	146046-0-00	
G-1-22	Screw	1	115811-0-01		G-18-1-2	Terminal Pin	2	143549-0-00	
G-1-23	Washer	1	025350-1-32		G-18-1-3	Micro Switch Cord	2		
G-1-24	Spring	1	145566-0-01		G-18-1-4	Micro Switch Cover	1		
G-1-25	Bobbin Winder Pawl	1	145687-0-01		G-18-1-5	Micro Switch	1		
G-1-26	Screw	1	013679-4-12		G-18-2	Screw	2	002301-6-03	
G-1-27	Fastening Screw	1	100128-0-02		G-18-3	Washer	2	025030-2-33	
G-1-28	Spring	1	146257-0-01		G-18-4	Switch Case	1	146042-0-01	
G-1-29	Bobbin Holder Cam	1	145562-0-01		G-18-5	Cap	1	146357-0-01	
G-1-30	Spring	1	146276-0-01		G-18-6	Switch Shaft	1	146043-0-01	
G-1-31	Screw	1	001639-3-12		G-18-7	Stop Ring	2	048070-3-42	
G-2	Screw	2	003761-2-12	G-18-8	Spring	1	115551-0-01		
G-3	Belt Cover Assembly	1	145567-0-01	G-19	Screw	2			

H. Synchronizer Mechanism



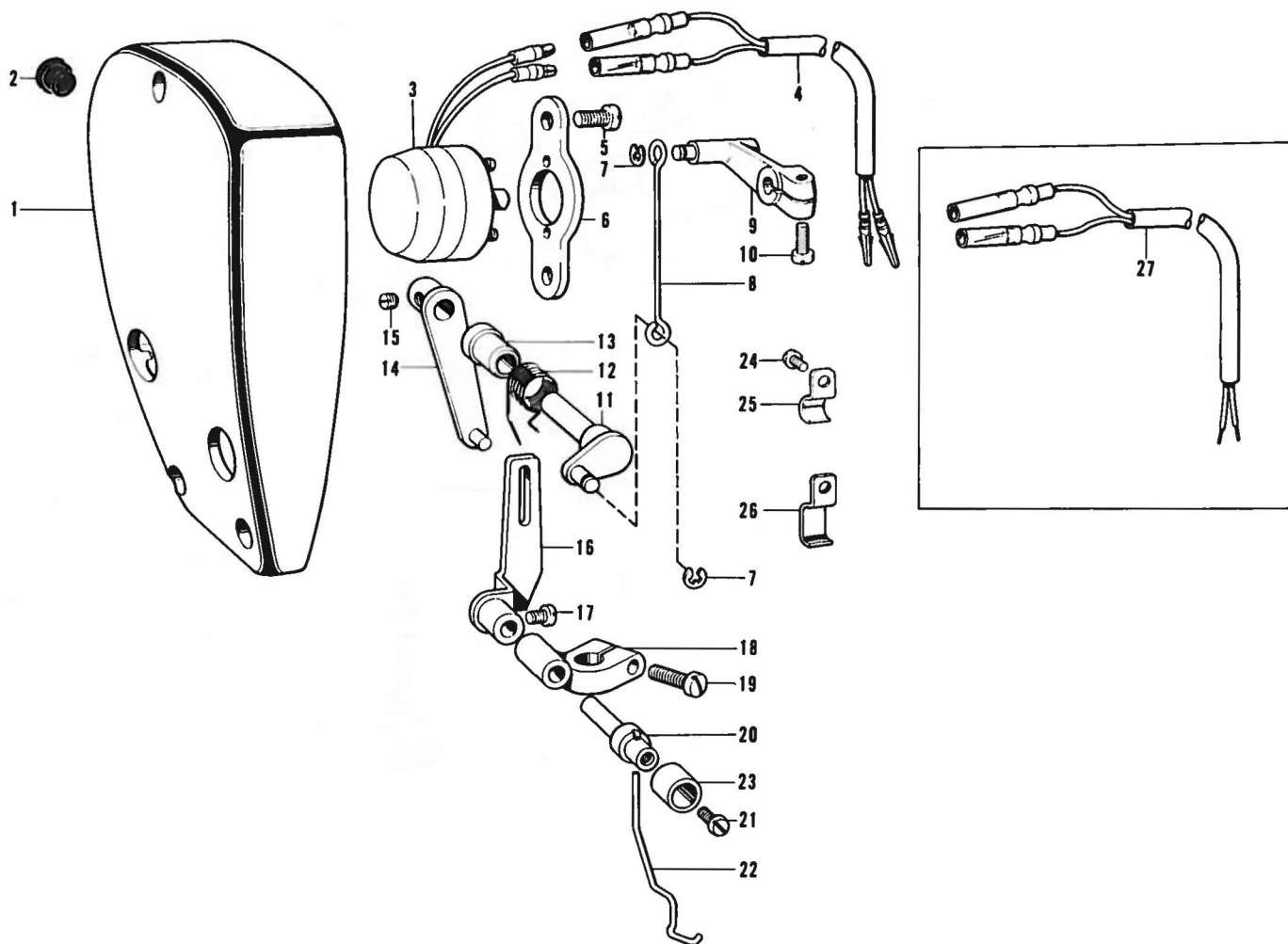
Ref. No.	Name of Parts	Q'ty	Parts No.	Assembly No.	Ref. No.	Name of Parts	Q'ty	Parts No.	Assembly No.
H-1	Screw	2	009711-4-12	H-2 Synchronizer Assembly	H-2-13	Screw	1	216880-0-01	H-2 Synchronizer Assembly
H-2-1	Magnet Stud	1			H-2-14	Washer	1	028060-2-43	
H-2-2	Screw	1	215083-0-01		H-2-15	Washer	1	025060-3-35	
H-2-3	Washer	1	025030-3-35		H-2-16	Screw	2	215080-0-01	
H-2-4	Bearing	1			H-2-17	Washer	2	025040-1-35	
H-2-5	Hole IC Holder	1			H-2-18	Hole IC With Cord	1	218953-0-01	
H-2-6	Washer	3	025040-3-35		H-3	Synchronizer Holder Bar	1	218944-0-01	
H-2-7	Screw	3	217093-0-01		H-4	Set Screw	1	009781-4-12	
H-2-8	Cord Holder	1			H-5	Holder	1	216332-0-01	
H-2-9	Screw	2	215080-0-01		H-6	Slip Ring Support	1		
H-2-10	Washer	2	025040-1-35		H-7	Cord Stopper	1	145597-0-01	
H-2-11	Level	1			H-8	Screw	1	009680-5-12	
H-2-12	Synchronizer Cover	1	219566-0-01						

J. Thread Trimmer and Tension Release Mechanism



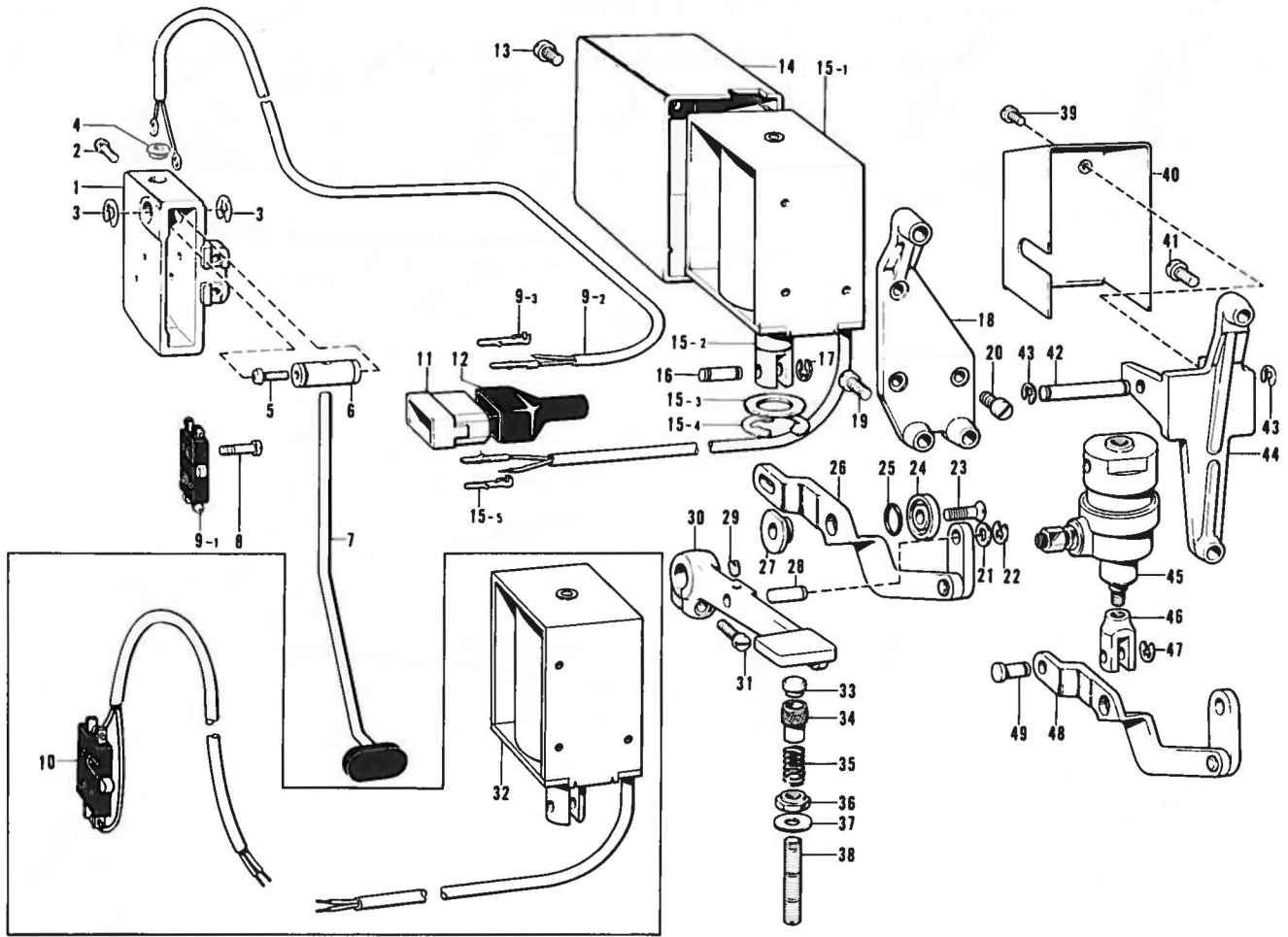
Ref. No.	Name of Parts	Q'ty	Parts No.	Assembly No.	Ref. No.	Name of Parts	Q'ty	Parts No.	Assembly No.
J- 1	O Ring	1	081003-0-70		J-27	Washer	1	025040-3-35	
J- 2	Fastening Screw	1	100128-0-02		J-28	Cord Holder	3	145595-0-01	
J- 3	Presser Bar Lifter Lever Shaft	1	145474-0-01		J-29	Screw	3	009680-6-12	
J- 4	Tension Releaser	1			J-30	Pin	1	047300-8-42	
J- 5	Screw	2	048040-3-42		J-31	Plunger	1	145678-0-01	
J- 6	Spring	1			J-32	Set Screw	2	009680-7-12	
J- 7	Washer	1	109763-0-02		J-33	Thread Trimming Solenoid Assembly	1		
J- 8	Tension Release Stud	1	145691-0-01		J-34	Cord Bush	1	146020-0-01	
J- 9	Stop Ring	1	048030-3-42		J-35	Connector Cap	1		
J-10	Thread Release Pin	1	145582-0-01		J-36	Nylon Connector	1		
J-11	Screw	2	009670-6-12		J-37	Movable Knif Cover	1	148035-0-01	
J-12	Solenoid Holder	1	145594-0-01		J-38	Washer	1	025680-1-33	
J-13	Thread Release Solenoid Assembly	1			J-39	Oil Stopper	1	149709-0-01	
J-14	Screw	1	009671-0-13		J-40	Screw	3	014680-6-22	
J-15	Thread Release Lever	1	145590-0-01		J-41	Washer	3	147697-0-01	
J-16	Collar	1	145583-0-01		J-42	Movable Knife	1	145608-0-01	
J-17	Screw	1	100366-0-01		J-43	Screw	2	141542-0-01	
J-18	Stopper	1	145617-0-01		J-44	Washer	1	145611-0-00	
J-19	Screw	1	009660-7-12		J-45	Lower Thread Finger	1	145610-1-01	
J-20	Screw	1	009679-3-12		J-46	Movable Knife Holder Assembly	1	145601-0-01	
J-21	Oil Stopper Plate	1	145623-0-01		J-47	Screw	2	009680-6-12	
J-22	Screw	2	145619-0-01		J-48	Spring	1	145936-0-01	
J-23	Stopper Guide	1	145618-0-01		J-49	Holder Plate	1	145933-0-01	
J-24	Stop Ring	1	048030-3-42		J-50	Needle Plate Washer	1	146188-0-01	
J-25	Stud	1	145620-0-01		J-51	Tension Release Solenoid 14	1		
J-26	Spring	1	145621-0-01		J-52	Thread Trimmer Solenoid	1		

K. Thread Wiper Mechanism



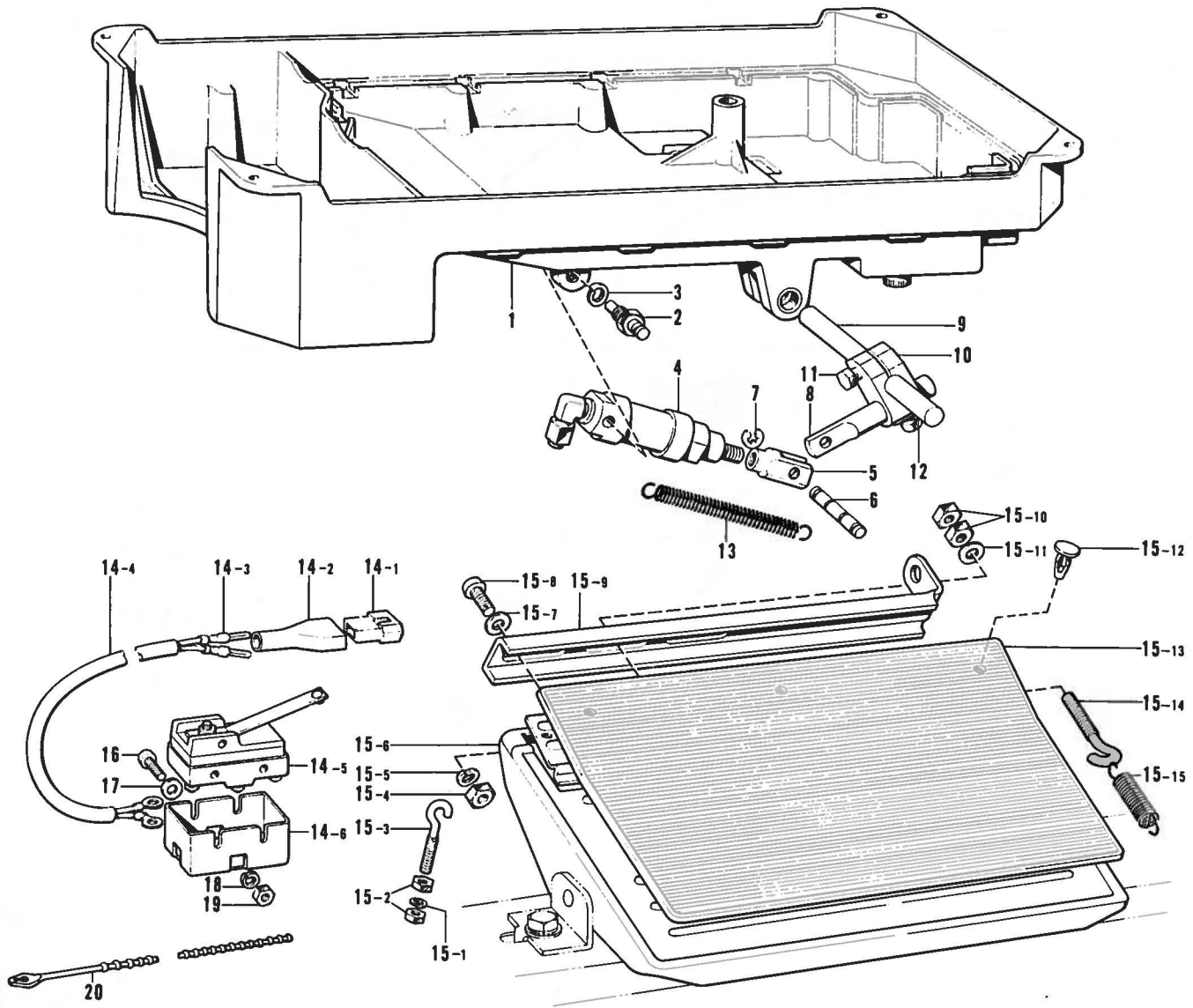
Ref. No.	Name of Parts	Q'ty	Parts No.	Assembly No.	Ref. No.	Name of Parts	Q'ty	Parts No.	Assembly No.
K-1	Face Plate	1	146078-0-01		K-15	Screw	2	102716-0-02	
K-2	Bushing	1	146080-0-00		K-16	Grooved Link	1	146091-0-01	
K-3	Thread Wiper Solenoid	1	146082-0-00		K-17	Screw	1	111443-0-01	
K-4	Cord	1			K-18	Thread Wiper Supporter	1	146093-0-01	
K-5	Screw	2	009680-8-12		K-19	Screw	1	009681-4-14	
K-6	Solenoid Set Plate	1	146081-0-01		K-20	Thread Wiper Stud	1	146092-0-01	
K-7	Stop Ring	2	048025-3-42		K-21	Screw	1	001670-5-14	
K-8	Wire Link	1	146087-0-01		K-22	Thread Wiper	1	146094-0-01	
K-9	Solenoid Link	1	146086-0-0-		K-23	Thread Wiper Stud Collar	1	146288-0-01	
K-10	Screw	1	009671-0-13		K-24	Screw	3	009670-6-12	
K-11	Thread Wiper Crank	1	146088-0-01		K-25	Supporter	3		
K-12	Spring	1	146089-0-01		K-26	Tube Holder	3		
K-13	Bushing	1	146079-0-01		K-27	Thread Wiper Cord	1		
K-14	Thread Wiper Lever	1	146090-0-01						

L. Quick Back Mechanism



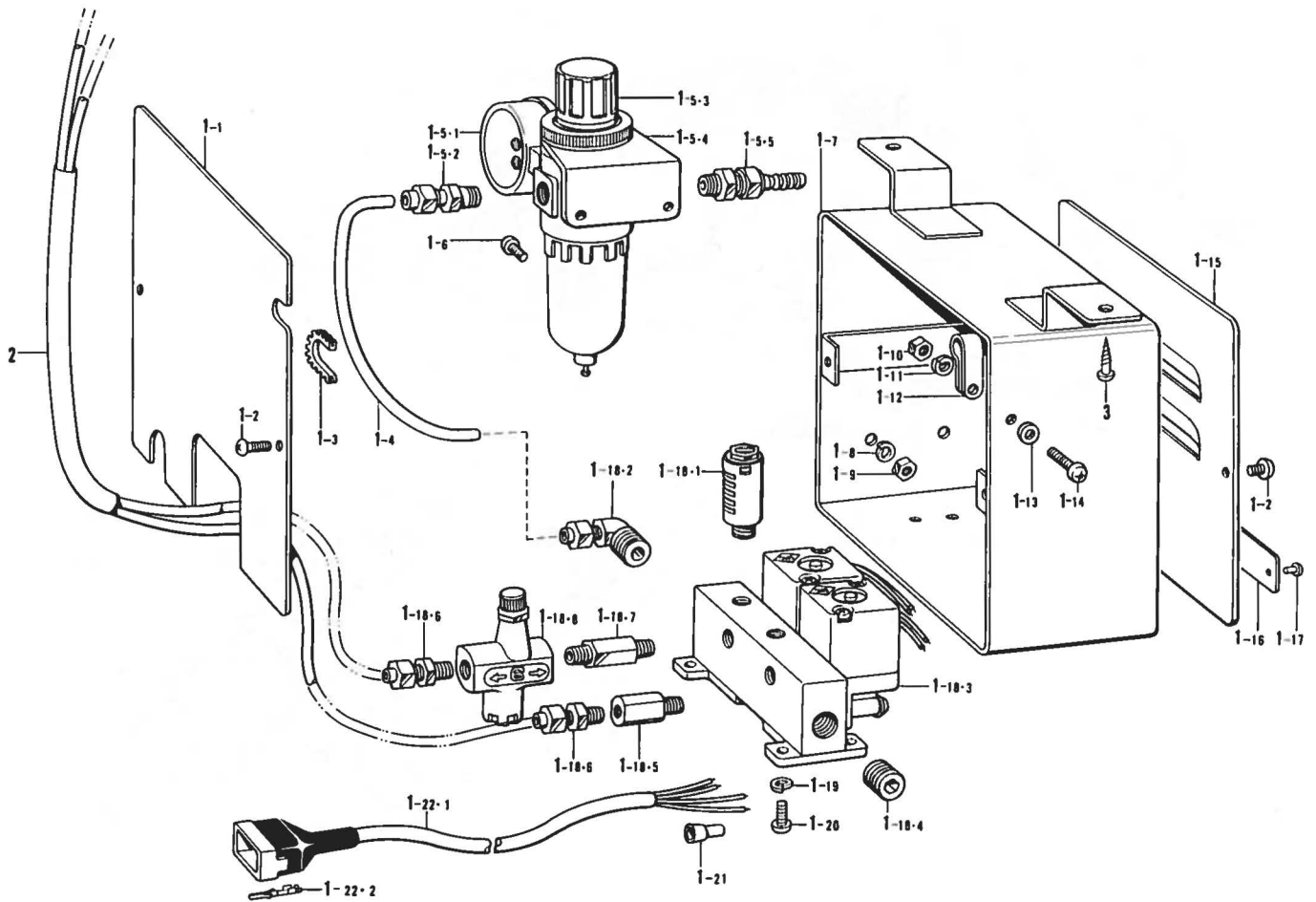
Ref. No.	Name of Parts	Q'ty	Parts No.	Assembly No.	Ref. No.	Name of Parts	Q'ty	Parts No.	Assembly No.
L-1	Reverse Switch Case	1	146120-0-01		L-23	Screw	1	003781-8-14	
L-2	Screw	2	009671-0-12		L-24	Washer	1	146110-0-01	
L-3	Stop Ring	2	048080-3-42		L-25	Packing	1	114294-0-01	
L-4	Bushing	1	146080-0-00		L-26	Solenoid Lever	1	146106-0-01	
L-5	Screw	1	009681-4-14		L-27	Solenoid Lever Shaft	1	146111-0-01	
L-6	Actuator Pin	1	146125-0-01		L-28	Pin	1	146114-0-01	
L-7	Reverse Finger	1	146126-0-01		L-29	Screw	1	013679-4-12	
L-8	Screw	2	146124-0-01		L-30	Reverse Lever	1	146113-0-01	
L-9-1	Reverse Switch	1	140643-0-00	L-9 Switch	L-31	Screw	1	009711-4-12	
L-9-2	Reverse Switch Cord	1	146122-0-00		L-32	Reverse Solenoid	1		
L-9-3	Terminal Pin	2	143549-0-00		L-33	Cushion	1	144852-0-00	
L-10	Switch	1			L-34	Stopper	1	146129-0-01	
L-11	6P Connector	1			L-35	Spring	1	140651-0-01	
L-12	Connector Cap	1			L-36	Not	1	140650-0-01	
L-13	Screw	1	007500-6-02		L-37	Washer	1	025080-1-32	
L-14	Solenoid Cover	1	146105-0-00		L-38	Screw	1	140649-0-01	
L-15-1	Reverse Solenoid	1		L-15 Reverse Solenoid	L-39	Screw	2	009670-5-13	
L-15-2	Plunger	1	147755-0-01		L-40	Cover	1	146156-0-01	
L-15-3	Stopper	1	146104-0-00		L-41	Screw	2	009781-4-12	
L-15-4	Stop Ring	1	146103-0-01		L-42	Cylinder Supporter Shaft	1	146148-0-01	
L-15-5	Terminal Pin	2	143549-0-00		L-43	Screw	2	048040-3-42	
L-16	Pin	1	147754-0-01		L-44	Cylinder Supporter	1	146147-0-01	
L-17	Screw	2	048040-3-42		L-45	Reverse Cylinder	1	146149-0-01	
L-18	Solenoid Bracket	1	146099-0-01		L-46	Piston Rod Joint	1	140627-0-01	
L-19	Screw	3	009781-4-12		L-47	Screw	1	048040-3-42	
L-20	Screw	3	007500-8-12		L-48	Lever	1	146154-0-01	
L-21	Screw	1	048040-3-42		L-49	Pin	1	146153-0-01	
L-22	Washer	1	146115-0-00						

M. Presser Lifter and Treadle



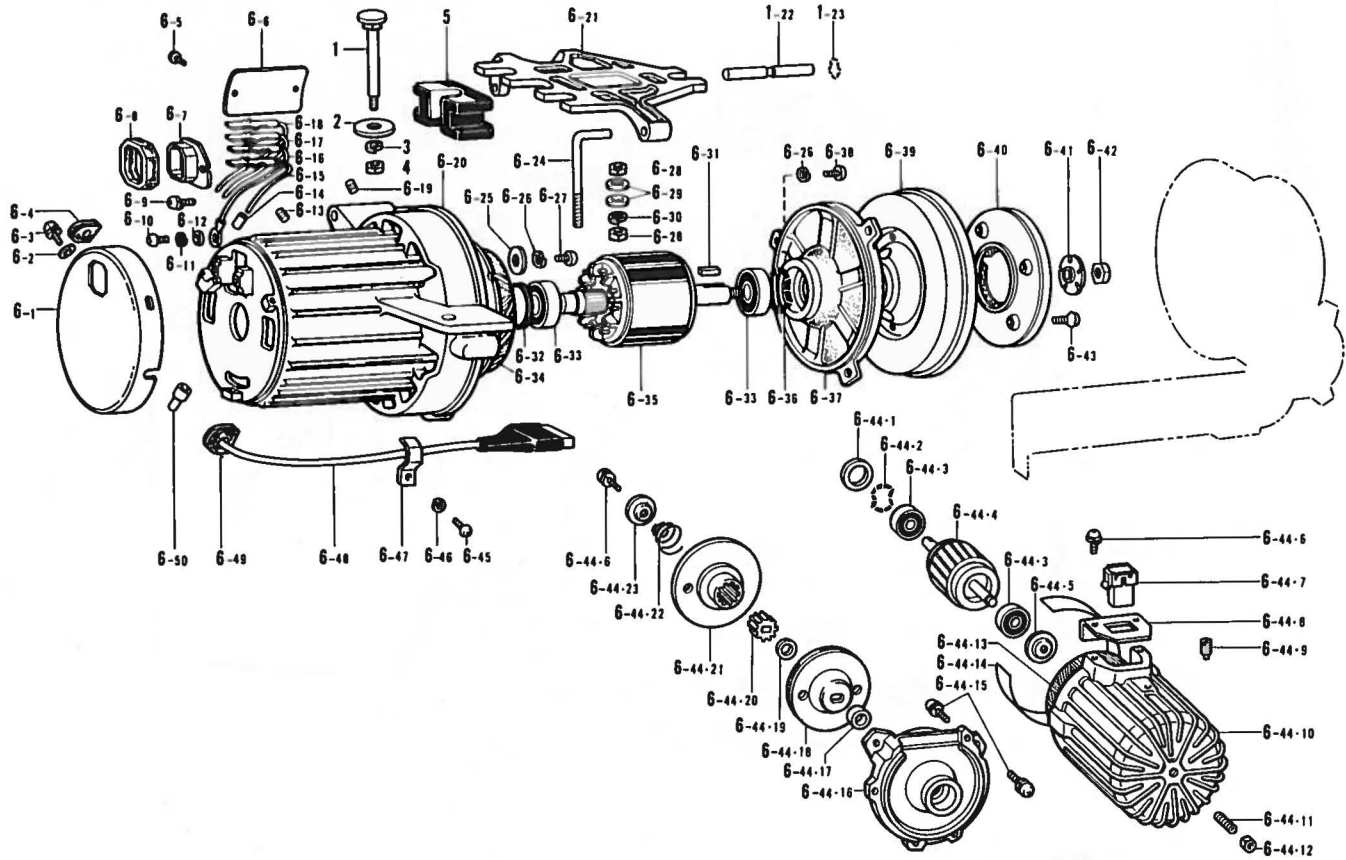
Ref. No.	Name of Parts	Q'ty	Parts No.	Assembly No.	Ref. No.	Name of Parts	Q'ty	Parts No.	Assembly No.
M-1	Oil Pan	1	149581-0-01		M-15-2	Nut	2	212251-0-01	
M-2	Screw	2	147141-0-01		M-15-3	Adjusting Hook	1	140947-0-01	
M-3	Washer	2	028060-2-40		M-15-4	Nut	2	021060-2-06	
M-4	Presser Foot Cylinder	1	146157-0-01		M-15-5	Washer	2	028060-2-40	
M-5	Piston Rod Joint	1	140627-0-01		M-15-6	Treadle	1		
M-6	Pin	1	146986-0-01		M-15-7	Washer	2	025060-2-36	M-15
M-7	Stop Ring	2	048040-3-42		M-15-8	Screw	2	001061-6-06	Treadle
M-8	Piston Drive Link	1	140668-0-01		M-15-9	Treadle Connector	1		Assembly
M-9	Piston Actuating Link Shaft	1	146069-0-01		M-15-10	Nut	2	021500-1-04	146175-0-01
M-10	Knee Lifter Joint	1	146039-0-01		M-15-11	Washer	1	025050-2-33	
M-11	Bolt	1	017762-0-13		M-15-12	Clip	3	146358-0-01	
M-12	Bolt	1	100463-0-01		M-15-13	Rubber	1	109268-0-01	
M-13	Spring	2	146985-0-01		M-15-14	Spring Hook	1	140953-0-01	
M-14-1	Nylon Connector	1	143488-0-01		M-15-15	Spring	1	146178-0-01	
M-14-2	Connector Cover	1	143489-0-01	M-14	M-16	Screw	2		
M-14-3	Terminal Pin	2	143549-0-00	Presser Foot	M-17	Washer	2		
M-14-4	Presser Foot Lifter Cord	1		Lifter Cord	M-18	Washer	2		
M-14-5	Micro Switch	1	140948-0-01	Assembly	M-19	Nut	2		
M-14-6	Micro Switch Cover	1	140950-0-00		M-20	Bead Band	1		
M-15-1	Washer	1	028040-2-43						

N. Valve Case Assembly



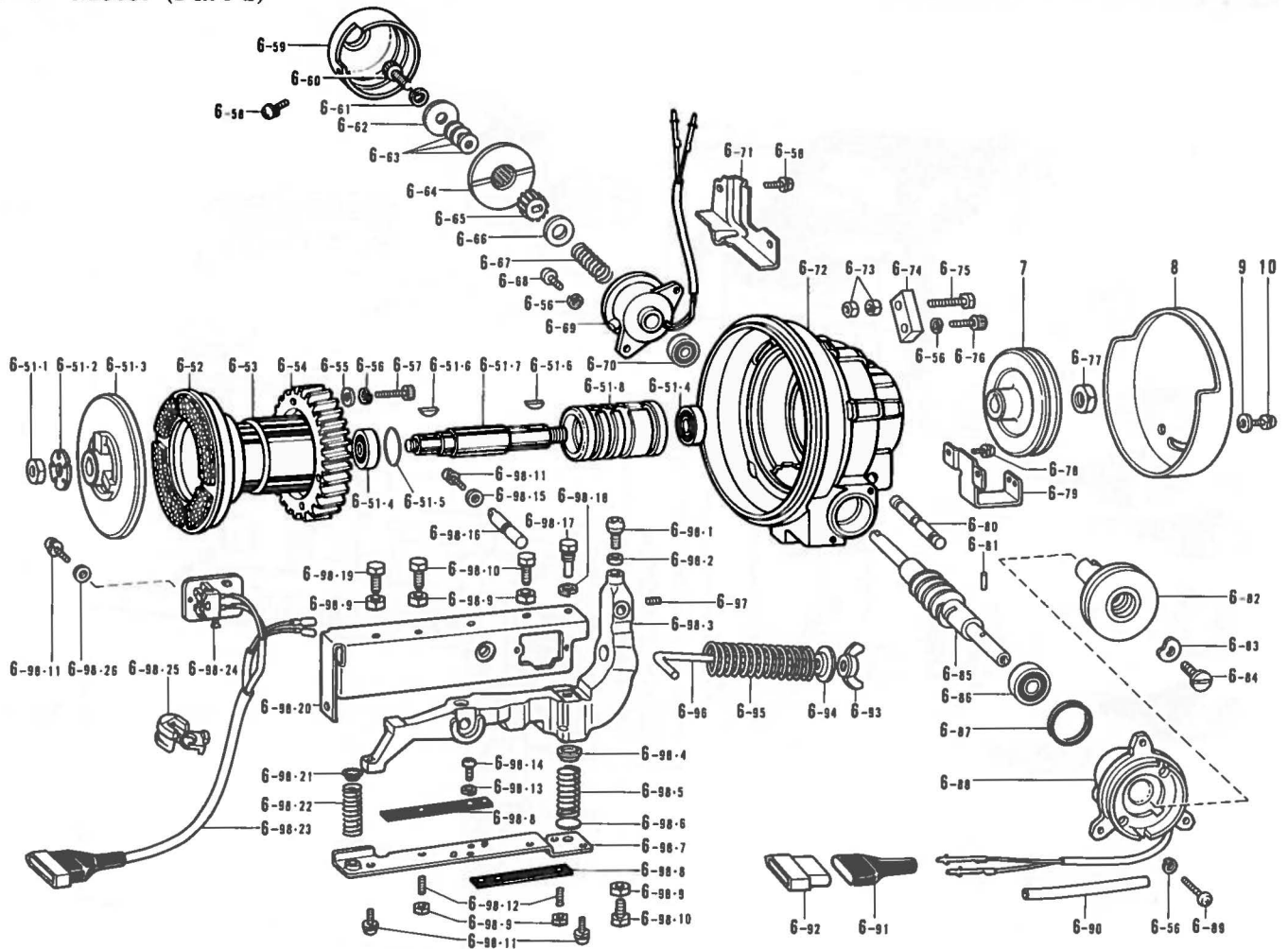
Ref. No.	Name of Parts	Q'ty	Parts No.	Assembly No.	Ref. No.	Name of Parts	Q'ty	Parts No.	Assembly No.
N-1-1	Rear Cover	1		N-1-5 Air Filter Unit 143959-1-03	N-1-15	Front Cover	1		N-1-18 Solenoid Valve Assembly 149543-0-01
N-1-2	Screw	4	008400-5-64		N-1-16	Name Plate	1		
N-1-3	Nylon Bushing	1	146171-0-00		N-1-17	Rivet	2		
N-1-4	Air Tube	1	140540-0-00		N-1-18-1	Silencer	2	140682-0-01	
N-1-5-1	Presser Gauge	1			N-1-18-2	"1/4" Elbow	1	140538-0-00	
N-1-5-2	"1/4" Connector Assembly	1	142349-0-00		N-1-18-3	Solenoid Valve	1		
N-1-5-3	Valve	1	143960-1-01		N-1-18-4	"1/4" Cap	1	140542-0-01	
N-1-5-4	Air Unit Holder Plate	1	143962-0-01		N-1-18-5	Valve Connector	1	140539-0-00	
N-1-5-5	Air Tube Connector	1	140678-0-00		N-1-18-6	"1/8" Connector	2	140543-0-00	
N-1-6	Screw	2	002501-0-64		N-1-18-7	Speed Control Connector	1	142037-0-00	
N-1-7	Air Control Box	1			N-1-18-8	Speed Controller	1	142038-0-01	
N-1-8	Washer	2	028050-2-43		N-1-19	Washer	4	028050-2-43	
N-1-9	Nut	2	021500-1-63		N-1-20	Screw	4	002501-0-64	
N-1-10	Nut	1	021300-1-03		N-1-21	Connector	4	206755-0-00	
N-1-11	Washer	1	028030-2-43	N-1-22-1	Valve Cord	1		N-1-22 Valve Cord 149545-0-01	
N-1-12	Cord Holder	1	149547-0-00	N-1-22-2	Terminal Pin	4	143549-0-00		
N-1-13	Washer	1	025030-1-33	N-2	Air Tube	1			
N-1-14	Screw	1	002301-0-03	N-3	Screw	2			

P. Motor (Part 1)



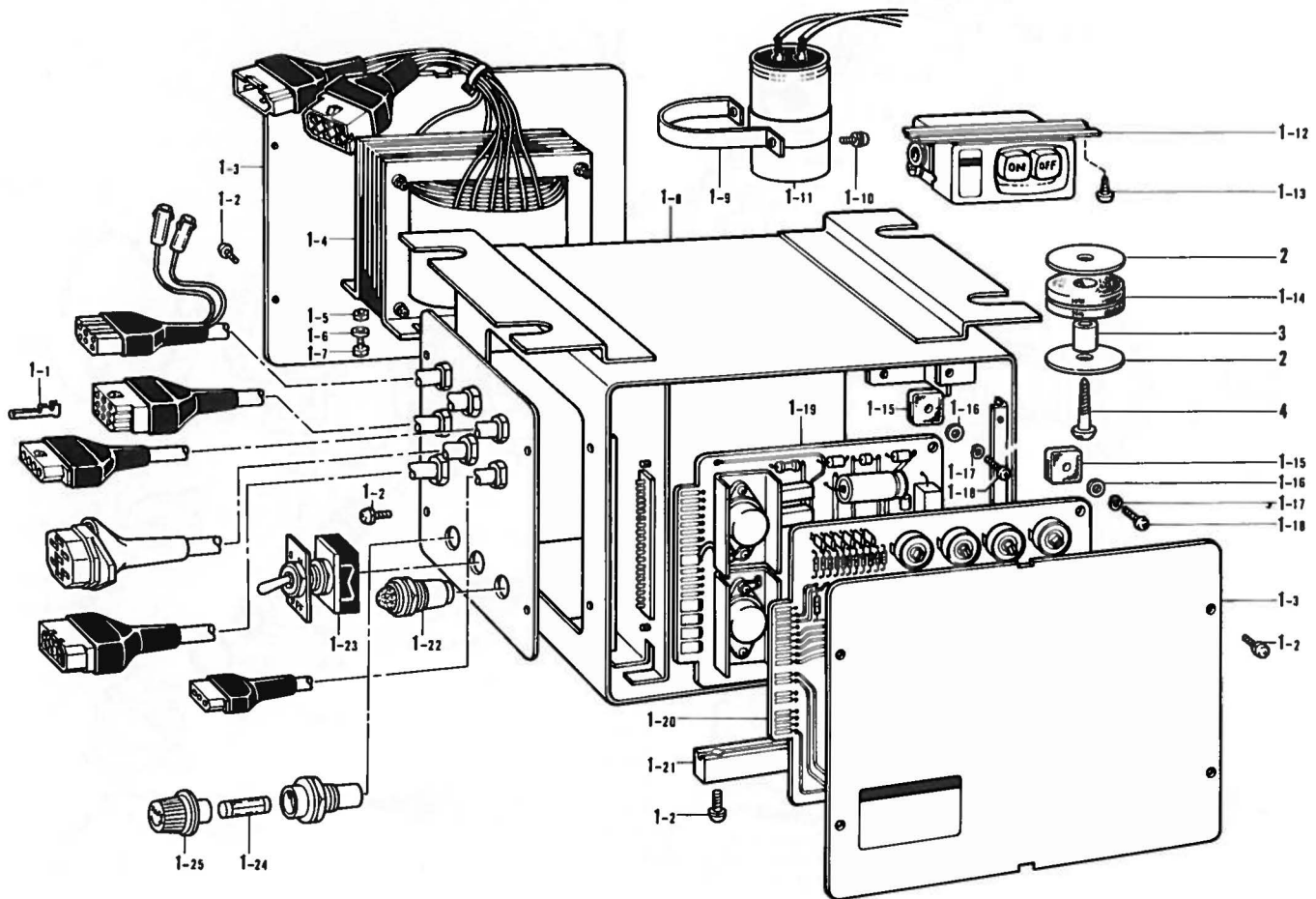
Ref. No.	Name of Parts	Q'ty	Parts No.	Assembly No.	Ref. No.	Name of Parts	Q'ty	Parts No.	Assembly No.
P-1	Bolt	3	210973-0-01		P-6-35	Roter	1		P-6 Motor Assembly
P-2	Washer	3	213650-0-01		P-6-36	Washer	1	206156-0-01	
P-3	Washer	3	028080-2-43		P-6-37	Bracket	1	218871-0-01	
P-4	Nut	3	021080-1-06		P-6-38	Screw	3	002501-6-05	
P-5	Vibration Absorbing Rubbur	3	213646-0-01		P-6-39	Fly Wheel	1		
P-6-1	Frame Cover	1	218863-0-01		P-6-40	Clutch Lining #4	1	218873-0-00	
P-6-2	Washer	3	025050-2-35		P-6-41	Whasher	1	210941-0-02	
P-6-3	Screw	3	211528-0-01		P-6-42	Nut	1	210942-0-02	
P-6-4	Rubber Pad #72	1	218865-0-01		P-6-43	Screw	4	214897-0-01	
P-6-5	Pin	2	200084-0-02		P-6-44-1	Washer	2	218913-0-01	
P-6-6	Model Plate	1			P-6-44-2	Washer	3	218870-0-01	
P-6-7	7P Socket	1	213748-0-01		P-6-44-3	Bearing 608VV	2	072060-8-60	
P-6-8	7P Socket Cover	1	218862-0-01		P-6-44-4	Roter	1		
P-6-9	Screw	2	008400-8-06		P-6-44-5	Roter Push Plate	1	218910-0-00	
P-6-10	Screw	1	002401-0-63		P-6-44-6	Screw	3	215080-0-01	
P-6-11	Washer	1	028040-2-43		P-6-44-7	3P Plug	1	216299-0-01	
P-6-12	Nut	1	025040-1-73		P-6-44-8	Plug Set Plate	1	216300-0-01	
P-6-13	Screw	1	013080-8-13		P-6-44-9	Screw	1	216286-0-01	
P-6-14	Vinyl Cap for Lead Wire	2	218951-0-01		P-6-44-10	Sed Motor Frame #55	1	218911-0-01	
P-6-15	Lead Wire (White)	2	218861-0-01		P-6-44-11	Screw	1	012061-8-22	
P-6-16	Lead Wire for Earth	1	213792-0-01		P-6-44-12	Nut	1	021060-3-05	
P-6-17	Lead Wire (Read)	1	218861-0-02		P-6-44-13	Stator	1		
P-6-18	Lead Wire (Black)	1	218861-0-03		P-6-44-14	Insulator Paper	2	216284-0-00	
P-6-19	Screw	1	011060-6-13	P-6 Motor Assembly	P-6-44-15	Screw	3	211528-0-01	
P-6-20	Frame #54	1	218831-0-01		P-6-44-16	Bracket	1	218912-0-00	
P-6-21	Base	1	218874-0-01		P-6-44-17	Collar	1	218922-0-01	
P-6-22	Pin	1	218875-0-01		P-6-44-18	Clutch Plate	1	218916-0-01	
P-6-23	Washer	1	213765-0-01		P-6-44-19	Washer	1	218921-0-01	
P-6-24	Bolt Adjusting Rod	1	210965-0-01		P-6-44-20	Selation	1	217280-0-01	
P-6-25	Washer	3	213752-0-01		P-6-44-21	Round Plate	1	218918-0-01	
P-6-26	Spring Washer	6	028050-2-43		P-6-44-22	Spring	1	218919-0-01	
P-6-27	Screw	3	218905-0-01		P-6-44-23	Washer	1	218920-0-00	
P-6-28	Nut	2	021100-2-06		P-6-45	Screw	1	002500-8-06	
P-6-29	Washer	2	025100-2-36		P-6-46	Spring Washer	1	028050-2-43	
P-6-30	Washer	1	028100-2-43		P-6-47	Cord Holder	1	218866-0-01	
P-6-31	Key	1	210940-0-00		P-6-48	Plug for Sub Motor	1	218867-0-01	
P-6-32	Rubber Washer 708×35×40RU	1	210938-0-01		P-6-49	Rubber Pad #71	1	218864-0-01	
P-6-33	Bearing 6203VV	2	072620-3-60		P-6-50	Crimp Connector	3	217169-0-00	
P-6-34	Stator	1							

P. Motor (Part 2)



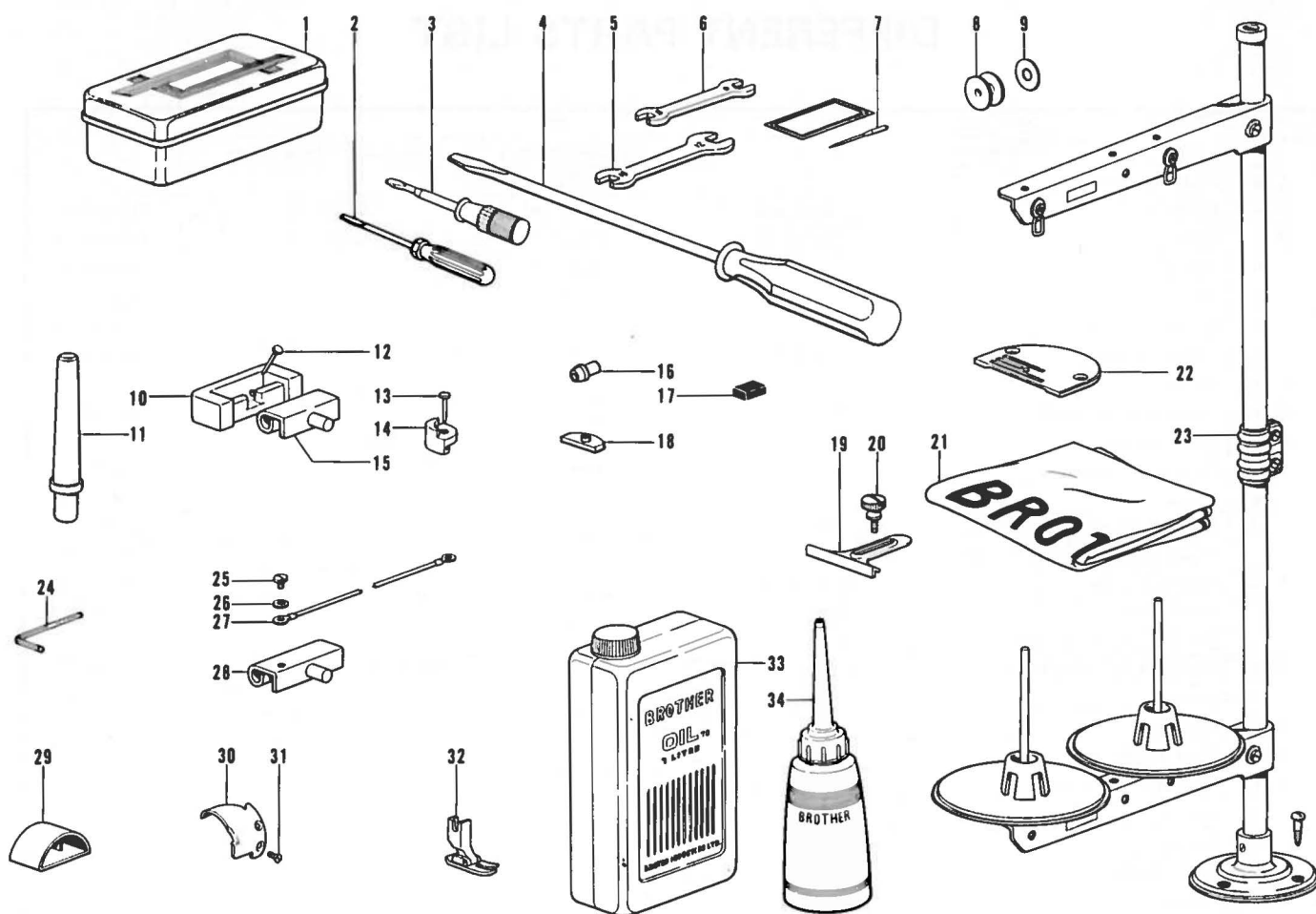
Ref. No.	Name of Parts	Q'ty	Parts No.	Assembly No.	Ref. No.	Name of Parts	Q'ty	Parts No.	Assembly No.
P-6-51-1	Nut	1	210942-0-02	P'-6-51 Clutch Plate #8 Assembly 218877-0-01	P-6-86	Bearing 6201VV	1	072620-1-61	P'-6 Motor Assembly
P-6-51-2	Washer	1	210941-0-02		P-6-87	Washer	1	216277-0-01	
P-6-51-3	Clutch Plate #6	1	213750-0-00		P-6-88	Clutch Solenoid	1	218903-0-01	
P-6-51-4	Bearing 620VV	2	072620-2-60		P-6-89	Screw	2	002503-5-05	
P-6-51-5	Washer	1	210948-0-01		P-6-90	Vinyl Tube	1	216837-0-01	
P-6-51-6	Key	2	210421-0-00		P-6-91	Plug Cover	1	216248-0-01	
P-6-51-7	Clutch Shaft	1	218878-0-00		P-6-92	4P Plug	1	216247-0-01	
P-6-51-8	Clutch Shaft Supporter	1	218879-0-01		P-6-93	Nut	1	206337-0-02	
P-6-52	Brake Lining	1	218882-0-00	P-6-94	Spring Cap	1	213760-0-01	P'-6-98 Clutch Lever #8 Assembly 218923-0-01	
P-6-53	Supporter for Clutch Shaft Supporter	1	290439-0-00	P-6-95	Spring	1	218929-0-01		
P-6-54	Gear 1/2	1	216219-0-00	P-6-96	Pedal Pressure Adjusting Screw	1	218928-0-01		
P-6-55	Washer	4	025050-1-35	P-6-97	Screw	1	014061-0-22		
P-6-56	Washer	9	028050-2-43	P-6-98-1	Ball Screw	1	216225-0-01		
P-6-57	Screw	4	018502-5-22	P-6-98-2	Nut	1	218921-0-01		
P-6-58	Screw	4	215080-0-01	P-6-98-3	Clutch Lever	1	218924-0-01		
P-6-59	Brake Cover	1	218902-0-01	P-6-98-4	Spring Cap	1	216233-0-01		
P-6-60	Bolt	1	018401-4-22	P-6-98-5	Spring	1	218945-0-01		
P-6-61	Spring Washer	1	028040-2-43	P-6-98-6	Washer	1	216235-0-00		
P-6-62	Washer	1	218896-0-00	P-6-98-7	Clutch Lever Bottom Plate	1	218946-0-01		
P-6-63	Spacer	4	218860-0-01	P-6-98-8	Switch Presser Plate	2	216241-0-01		
P-6-64	Brake Disc	1	218895-0-01	P-6-98-9	Nut	6	021060-3-05		
P-6-65	Selation	1	217280-0-01	P-6-98-10	Bolt	3	213913-0-01		
P-6-66	Washer	1	218894-0-01	P-6-98-11	Screw	8	215080-0-01		
P-6-67	Spring	1	218893-0-01	P-6-98-12	Screw	2	012061-2-22		
P-6-68	Screw	2	002501-6-05	P-6-98-13	Spring Washer	2	028040-2-43		
P-6-69	Brake Solenoid	1	218915-0-01	P-6-98-14	Screw	2	002400-6-05		
P-6-70	Bearing 608VV	1	072060-8-60	P-6-98-15	Washer	1	025040-3-35		
P-6-71	Cord Holder	1	218930-0-01	P-6-98-16	Pin	1	218926-0-01		
P-6-72	Bracket	1	218876-0-01	P-6-98-17	Bolt	1	216232-0-01		
P-6-73	Nut	2	021060-3-05	P-6-98-18	Washer	1	028060-2-43		
P-6-74	Space Adjusting Plate	1	218881-0-01	P-6-98-19	Bolt	1	214002-0-01		
P-6-75	Bolt	1	219405-0-01	P-6-98-20	Clutch Lever Cover	1	218925-0-01		
P-6-76	Bolt	1	018502-2-23	P-6-98-21	Spring Cap	1	218927-0-01		
P-6-77	Nut	1	210240-0-01	P-6-98-22	Spring	1	216230-0-01		
P-6-78	Screw	2	211528-0-01	P-6-98-23	Micro Key Cord	1	218947-0-01		
P-6-79	Belt Cover Set Plate	1	216380-0-01	P-6-98-24	Micro Switch	2	216236-0-01		
P-6-80	Pin	1	213757-0-02	P-6-98-25	Bushing	1	212544-0-01		
P-6-81	Spring Pin	1	218952-0-01	P-6-98-26	Washer	4	025040-1-35		
P-6-82	Clutch Plate #2	1	218885-0-01	P-7	Pulley	1			
P-6-83	Washer	1	218891-0-01	P-8	Belt Cover	1	215491-0-01		
P-6-84	Screw	1	218892-0-01	P-9	Washer	2	025050-3-35		
P-6-85	Worm 1/2	1	218884-0-00	P-10	Screw	2	211528-0-01		

Q. Control Box Mechanism



Ref. No.	Name of Parts	Q'ty	Parts No.	Assembly No.	Ref. No.	Name of Parts	Q'ty	Parts No.	Assembly No.
Q-1-1	Terminal Pin	27	216373-0-01	Q-1 Control Box Assembly	Q-1-15	Insulator Rubber	2	216351-0-00	Q-1 Control Box Assembly
Q-1-2	Screw	16	215080-0-01		Q-1-16	Washer	4	025030-3-35	
Q-1-3	Control Box Front Cover Plate	2	218819-0-01		Q-1-17	Washer	2	028030-2-43	
Q-1-4	Transformer	1			Q-1-18	Screw	4	002300-8-05	
Q-1-5	Nut	4	218823-0-01		Q-1-19	Rprinted Circuit Board	1	218825-0-00	
Q-1-6	Washer	4	025040-2-35		Q-1-20	Rprinted Circuit Board	1		
Q-1-7	Screw	4	216870-0-01		Q-1-21	Mounting Rail	2	218821-0-01	
Q-1-8	Control Box	1			Q-1-22	Pilot Lamp	1		
Q-1-9	Condenser Set Plate	1			Q-1-23	Pilot Lamp Switch	1	216905-0-01	
Q-1-10	Screw	2			Q-1-24	5A Fuse	1	215822-0-00	
Q-1-11	Condenser	1			Q-1-25	Fuse Holder	1	215387-0-01	
Q-1-12	3P Push Button Switch	1	213794-0-01		Q-2	Washer	8	214344-0-01	
Q-1-13	Screw	2	031451-6-03		Q-3	Collar	4	216346-0-01	
Q-1-14	Cushion Rubber	4	216345-0-00		Q-4	Screw	4	031624-0-05	

Z. Accessories



Ref. No.	Name of Parts	Q'ty	Parts No.	Assembly No.	Ref. No.	Name of Parts	Q'ty	Parts No.	Assembly No.
Z-1	Accessory Box Assembly		110436-0-01		Z-18	Oil Pan Cushion		146004-0-01	
Z-2	Screw Driver		142443-0-01		Z-19	Ruler		100471-0-01	
Z-3	Screw Driver		118837-0-01		Z-20	Thumb Screw		106120-0-01	
Z-4	Screw Driver		101572-1-01		Z-21	Head Cover		144222-0-01	
Z-5	Spanner 10×12		107780-0-01		Z-22	Needle Plate		100266-0-01	
Z-6	Spanner 8×9		100887-0-01		Z-23	Cotton Stand Assembly			
Z-7	Needle				Z-24	Spanner		146049-0-01	
Z-8	Bobbin		146290-0-01		Z-25	Screw		009680-6-13	
Z-9	Bobbin Case Sheet		140356-0-01		Z-26	Washer		025680-2-34	
Z-10	Blower		143910-0-01		Z-27	Earth Wire		145946-0-01	
Z-11	Head Rest		100477-0-01		Z-28	Earth Hinge		145945-0-01	
Z-12	Nail		109714-0-00		Z-29	Movable Knife Case		145990-0-01	
Z-13	Nail		109714-0-00		Z-30	Movable Knife		145608-0-01	
Z-14	Head Cushion		146003-1-01		Z-31	Screw		141542-0-01	
Z-15	Hinge		143882-0-01		Z-32	Presser Foot Assembly		140957-0-01	
Z-16	Sleeve				Z-33	Oil Tank		145277-1-03	
Z-17	Hagnet		112525-0-00		Z-34	Oiler		114483-0-01	

* The details of included accessories are subject to change.

* Änderungen in der Aufstellung der mitgelieferten Zubehöre sind vorbehalten.

* Les détails des accessoires inclus sont sujets à des changements.

* Los detalles de los accesorios incluidos pueden variar.

DIFFERENT PARTS LIST

Ref. No.	Sub-Class Distination	- 103			- 203
			W. Germany France	Efca Subem Motor Type	
A-10	Face Plate Assembly		181389-0-01		
B- 4	Needle Bar	145467-0-01	114908-0-01	145467-0-01	145467-0-01
B- 9	Needle	100265-0-34	107415-0-14	100265-0-34	100265-0-34
C-16	Spring		145643-0-01		145643-0-01
C-25	Reverse Lever		145495-0-01		145495-0-01
F-29	Oil Pan Assembly		181420-2-01		181420-2-01
G-18	Switch Assembly	146048-0-01			146048-0-01
G-19	Screw	031451-6-03			031451-6-03
H- 2	Synchronizer Assembly	220067-0-01			220067-0-01
H- 6	Slip Ring Support			148825-0-01	
J- 4	Tension Releaser		145689-0-01		145689-0-01
J- 6	Spring		145475-1-01		145475-1-01
J-13	Thread Release Solenoid Assembly	146018-0-01			146018-0-01
J-33	Thread Trimming Solenoid Assembly	146014-0-01			146014-0-01
J-35	Connector Cap	145596-0-01			146119-0-00
J-36	Nylon Connector	145681-0-00			145681-0-00
J-51	Tension Release Solenoid 14			146911-0-01	
J-52	Thread Trimmer Solenoid			146910-0-01	
K- 4	Cord				146095-0-00
K-25	Supporter				140647-0-01
K-26	Tube Holder				
K-27	Thread Wiper Cord				
L- 9	Switch				
L-10	Switch				
L-11	6P Connector				
L-12	Connector Cap				
L-15	Reverse Solenoid				
L-32	Reverse Solenoid				
M-14	Presser Foot Lifter Cord Assembly				
M-16	Screw				
M-17	Washer				
M-18	Washer				
M-19	Nut				
M-20	Bead Band				
N- 1	Air Control Box Assembly				
N- 2	Air Tube				
N- 3	Screw				
Z- 7	Needle	100265-0-34	107415-0-14	100265-0-34	100265-0-34
Z-16	Sleeve				
Z-23	Cotton Stand Assembly		150150-0-01		150150-0-01

Ref. No.	Sub-Class Distination	- 203		- 403	
		Tiwan	Efca Subem Motor Type	Tiwan	Efca Subem Motor Type
A-10	Face Plate Assembly				
B- 4	Needle Bar	145467-0-01		145467-0-01	
B- 9	Needle	100265-0-34		100265-0-34	
C-16	Spring	145643-0-01		146116-0-01	
C-25	Reverse Lever	145495-0-01			
F-29	Oil Pan Assembly	181420-2-01		181420-2-01	
G-18	Switch Assembly			146048-0-01	
G-19	Screw			031451-6-03	
H- 2	Synchronizer Assembly	220067-0-01		220067-0-01	
H- 6	Slip Ring Support		148825-0-01		148825-0-01
J- 4	Tension Releaser	145689-0-01		145689-0-01	
J- 6	Spring	145475-1-01		145475-1-01	
J-13	Thread Release Solenoid Assembly	146018-0-01		146018-0-01	
J-33	Thread Trimming Solenoid Assembly	146014-0-01		146014-0-01	
J-35	Connector Cap	146119-0-00		146119-0-00	
J-36	Nylon Connector	145681-0-00		145681-0-00	
J-51	Tension Release Solenoid 14		146911-0-01		146911-0-01
J-52	Thread Trimmer Solenoid		146910-0-01		146910-0-01
K- 4	Cord	146095-0-00		146095-0-00	
K-25	Supporter	140647-0-01			
K-26	Tube Holder		142268-0-01	142268-0-01	
K-27	Thread Wiper Cord		146912-0-00		146912-0-00
L- 9	Switch			146121-0-00	
L-10	Switch				146913-0-00
L-11	6P Connector			146118-0-00	
L-12	Connector Cap			145596-0-01	
L-15	Reverse Solenoid			147756-0-01	
L-32	Reverse Solenoid				147757-0-01
M-14	Presser Foot Lifter Cord Assembly				
M-16	Screw				
M-17	Washer				
M-18	Washer				
M-19	Nut				
M-20	Bead Band				
N- 1	Air Control Box Assembly				
N- 2	Air Tube				
N- 3	Screw				
Z- 7	Needle	100265-0-34		100265-0-34	
Z-16	Sleeve				
Z-23	Cotton Stand Assembly		150150-0-01	150150-0-01	150150-0-01

Ref. No.	Name of Parts	Sub-Class Distination		
		W. Germany	France	U.S.A. Canada
A-10	Face Plate Assembly			
B-4	Needle Bar	145467-0-01	114908-0-01	145467-0-01
B-9	Needle	100265-0-34	107415-0-14	100265-0-34
C-16	Spring		145643-0-01	
C-25	Reverse Lever			
F-29	Oil Pan Assembly			
G-18	Switch Assembly	146048-0-01		
G-19	Screw	031451-6-03		
H-2	Synchronizer Assembly	220067-0-01		
H-6	Slip Ring Support			148825-0-01
J-4	Tension Releaser		147198-0-01	
J-6	Spring		147197-0-01	
J-13	Thread Release Solenoid Assembly	146018-0-01		
J-33	Thread Trimming Solenoid Assembly	146014-0-01		
J-35	Connector Cap	146119-0-00		
J-36	Nylon Connector	145681-0-00		
J-51	Tension Release Solenoid 14			146911-0-01
J-52	Thread Trimmer Solenoid			146910-0-01
K-4	Cord	146095-0-00		
K-25	Supporter			
K-26	Tube Holder		142268-0-01	
K-27	Thread Wiper Cord			146912-0-00
L-9	Switch	146121-0-00		
L-10	Switch			146913-0-00
L-11	6P Connector			
L-12	Connector Cap			
L-15	Reverse Solenoid			
L-32	Reverse Solenoid			
M-14	Presser Foot Lifter Cord Assembly	146160-0-01		
M-16	Screw	002303-0-06		
M-17	Washer	025030-2-33		
M-18	Washer	028030-2-43		
M-19	Nut	021300-1-03		
M-20	Bead Band	144189-0-01		
N-1	Air Control Box Assembly	149539-0-01		149539-0-01
N-2	Air Tube	149548-0-01	146159-0-01	149548-0-01
N-3	Screw	100666-0-02		100666-0-02
Z-7	Needle	100265-0-34	107415-0-14	100265-0-34
Z-16	Sleeve		142123-0-01	
Z-23	Cotton Stand Assembly		150150-0-01	

Ref. No.	Phase		3 Phase				1 Phase				
	Name of Parts	Volt	220V	380V	400V	400V (Lamp tap 12V)	110V	220V	240V	240V (Lamp tap 12V)	240V (W/O lamp tap)
P-6	Motor Assembly		219972-0-01	219497-0-01	219934-0-01	219507-0-01	219984-0-01	219733-0-01	219967-0-01	219726-0-01	219791-0-01
P-6-34	Stator		219485-0-00	219483-0-00	219935-0-00	219484-0-00	219985-0-00	219734-0-00	219968-0-00	219728-0-00	219792-0-00
P-6-35	Roter		213802-0-01				217805-0-01				
P-6-39	Flv Wheel		218872-0-01				219729-0-01				
P-6-44	Sub Motor Assembly		219973-0-01	219499-0-01	219509-0-01		219986-0-01	219735-0-01		219730-0-01	
P-6-44-1	Roter		218907-0-01				219235-0-01				
P-6-44-13	Stator		219488-0-00	219486-0-00	219487-0-00		219987-0-00	219736-0-00		219731-0-00	
Q-1	Control Box Assembly	200		219500-0-01	219506-0-01		219976-0-01			219732-0-01	
		400						219748-0-01		219793-0-01	
		500	219974-0-01	219915-0-01	219929-0-01		220123-0-01	219969-0-01		219970-0-01	
Q-1-4	Transformer		219749-0-00	219501-0-00	219505-0-00		220001-0-00	219749-0-00		219744-0-00	
Q-1-9	Condenser Set Plate								219746-0-01		
Q-1-10	Screw								215080-0-01		
Q-1-11	Condenser						220010-0-01	219745-0-01			
Q-1-20	Printed Circuit Board	100/200/400	218824-0-00								
		500	219917-0-00								
Q-1-22	Pilot Lamp		216364-0-00	290440-0-00			217249-0-00	216364-0-00			

Ref. No.	Name of Parts	Parts No.	Sewing Speed			
			50Hz		60Hz	
			High Speed	Slow Speed	High Speed	Slow Speed
P-7	Pulley K- 75	216921-0-01			3,550	165
	Pulley K- 80	217135-0-01			3,850	180
	Pulley K- 85	216922-0-01	3,400	160	4,050	190
	Pulley K- 90	216923-0-01	3,650	170	4,300	205
	Pulley K- 95	217136-0-01	3,850	180		
	Pulley K-100	216924-0-01	4,050	190		
	Pulley K-105	216925-0-01	4,250	200		

I N D E X

Parts No.	Ref. No.	Parts No.	Ref. No.	Parts No.	Ref. No.	Parts No.	Ref. No.	Parts No.	Ref. No.
001061-6-06	M-15-8	009671-0-12	L- 2	009781-4-12	H- 4	018401-4-22	P-6-60	025100-2-36	P-6-29
001639-3-12	G-1-31	009671-0-13	A-12		L- 19	018502-2-23	P-6-76	025350-1-32	G-1-23
001670-5-14	K-21	009671-0-13	J-14		L-41	018502-5-22	P-6-57	025350-3-32	G- 7
001670-6-12	G- 6		K-10	011060-6-13	P-6-19	021060-2-06	M-15-4	025680-1-33	J-38
001670-8-14	E-11	009671-8-13	A-11	011681-2-12	D-32	021060-3-05	P-6-44-12	025680-2-34	A-48
002300-8-05	Q-1-18	009679-3-12	D-39	012061-2-22	P-6-98-12		P-6-73		Z-26
002301-0-03	N-1-14		F-10	012061-8-22	P-6-44-11		P-6-98-9	025750-1-32	G-13
002301-6-03	G-18-2		J-20	013080-8-13	P-6-13	021080-1-06	P- 4	028030-2-43	M-18
002303-0-06	M-16	009680-5-12	G-15	013670-7-12	G-1-14	021100-2-06	P-6-28		N-1-11
002400-6-05	P-6-98-14		H- 8	013679-4-12	G-1-26	021300-1-03	M-19		Q-1-17
002401-0-63	P-6-10	009680-6-12	F-16		L-29		N-1-10	028040-2-43	M-15-1
002500-8-06	P-6-45		J-29	013680-6-12	A-18	021500-1-04	M-15-10		P-6-11
002501-0-64	N-1-6		J-47	013680-8-12	D-27	021500-1-63	N-1-9		P-6-61
	N-1-20	009680-6-13	G-1-7	013689-4-12	C- 3	021660-1-02	A-27		P-6-98-13
002501-6-05	P-6-38		Z-25		C- 7	025030-1-33	N-1-13	028050-2-43	N-1-8
	P-6-68	009680-7-12	J-32	013710-5-12	E-15	025030-2-33	G-18-3		N-1-19
002503-5-05	P-6-89	009680-7-13	A-15	013760-6-10	B-29		M-17		P-6-26
003761-2-12	G- 2		E- 8		B-35	025030-3-35	H-2-3		P-6-46
003781-8-14	L-23		F-27	013760-8-10	B-30-2		Q-1-16		P-6-56
007500-6-02	L-13	009680-8-12	K- 5		C-1-5	025040-1-35	H-2-10	028060-2-40	M- 3
007500-8-12	L-20	009681-0-12	D-24	013761-4-10	B-33		H-2-17		M-15-5
008400-5-64	N-1-2	009681-2-12	D-10		B-38		P-6-98-26	028060-2-43	H-2-14
008400-8-06	P-6-9		D-15		B-41	025040-1-73	P-6-12		P-6-98-18
009660-7-12	J-19		D-46	013770-7-10	B-24	025040-2-35	Q-1-6	028080-2-43	P- 3
009670-5-12	A-13		E-6-2		B-36-2	025040-3-35	H-2-6	028100-2-43	P-6-30
	G-1-11	009681-4-14	K-19		B-36-4		J-27	031451-6-03	G-19
009670-5-13	F- 5		L- 5		B-43-2		P-6-98-15		Q-1-13
	L-39	009681-6-12	D-38-2		B-43-4	025050-1-35	P-6-55	031624-0-05	Q- 4
009670-6-12	B-15	009711-2-12	B-23	013781-0-12	B-10	025050-2-33	M-15-11	047300-8-42	J-30
	J-11	009711-4-12	C-15		C-10	025050-2-35	P-6-2	048025-3-42	K- 7
	K-24		C-24	014061-0-22	P-6-99	025050-3-35	P- 9	048030-3-42	J- 9
009670-6-14	A-32		H- 1	014680-6-22	J-40	025060-2-36	M-15-7		J-24
009670-8-12	A- 8		L-31	017762-0-13	E-24-1	025060-3-35	H-2-15	048040-3-42	J- 5
	F-26-8	009760-8-13	G- 5		M-11	025080-1-32	L-37		L-17

